

List of spare parts

for

WARP TYING STANDS

KS2 and KS2H

12 - 39



TITAN TEXTILE MACHINES A/s

METALBUEN 29 — DK-2750 BALLERUP — DANMARK
TEL. (01) 97 44 11 — TELEX 5764 — TELEGR. TITEXMA

- MODEL KS2- : For machine KM6 working from left to right.
 MODEL KS2H- : For machine KM6H working from right to left.
 MODEL KS2-21H : Stand with wide yarn clamps.
 MODEL KS2-24H : Stand with wide yarn clamps.
 MODEL KS2H-21H : Stand with wide yarn clamps.
 MODEL KS2H-24H : Stand with wide yarn clamps.

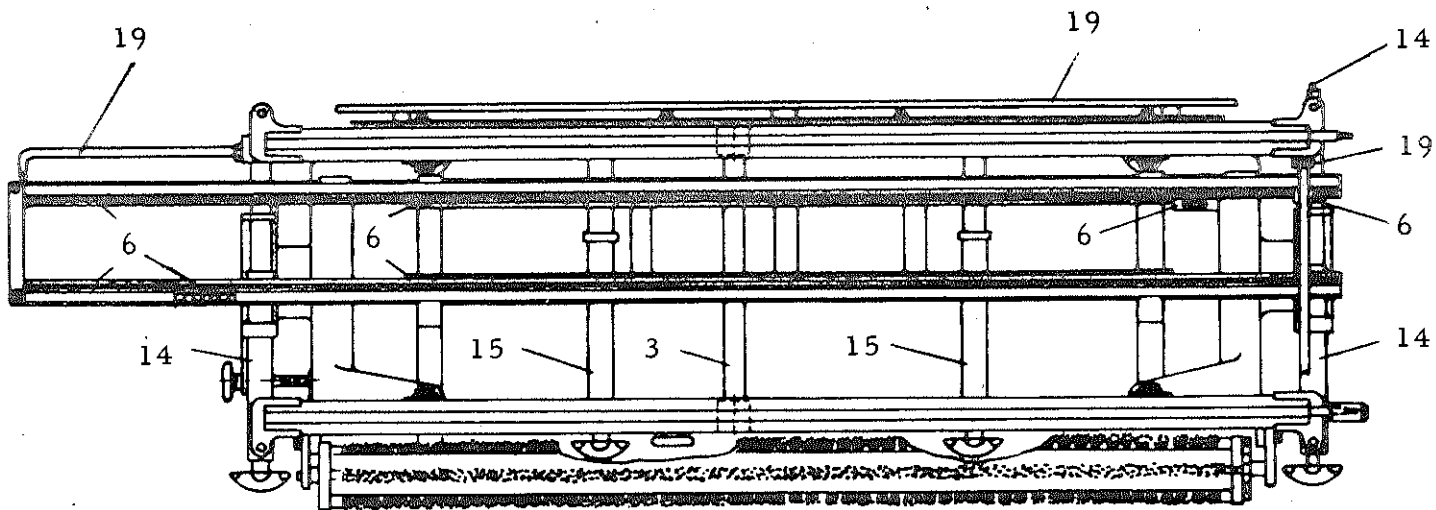
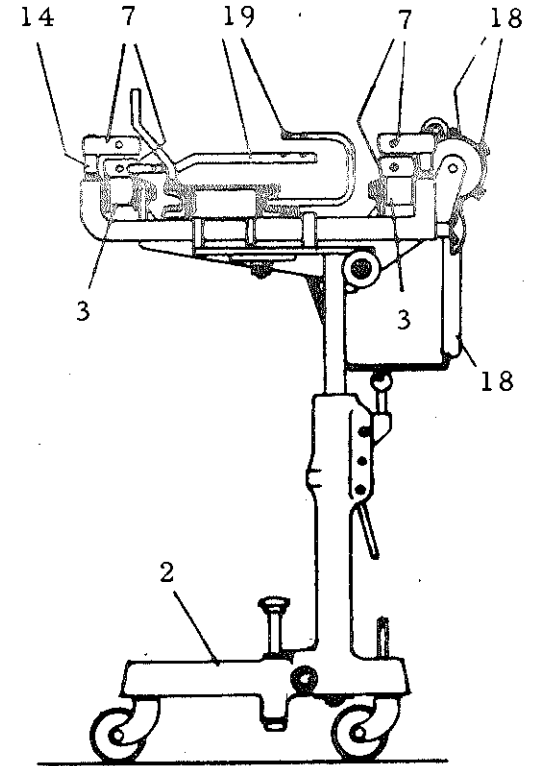
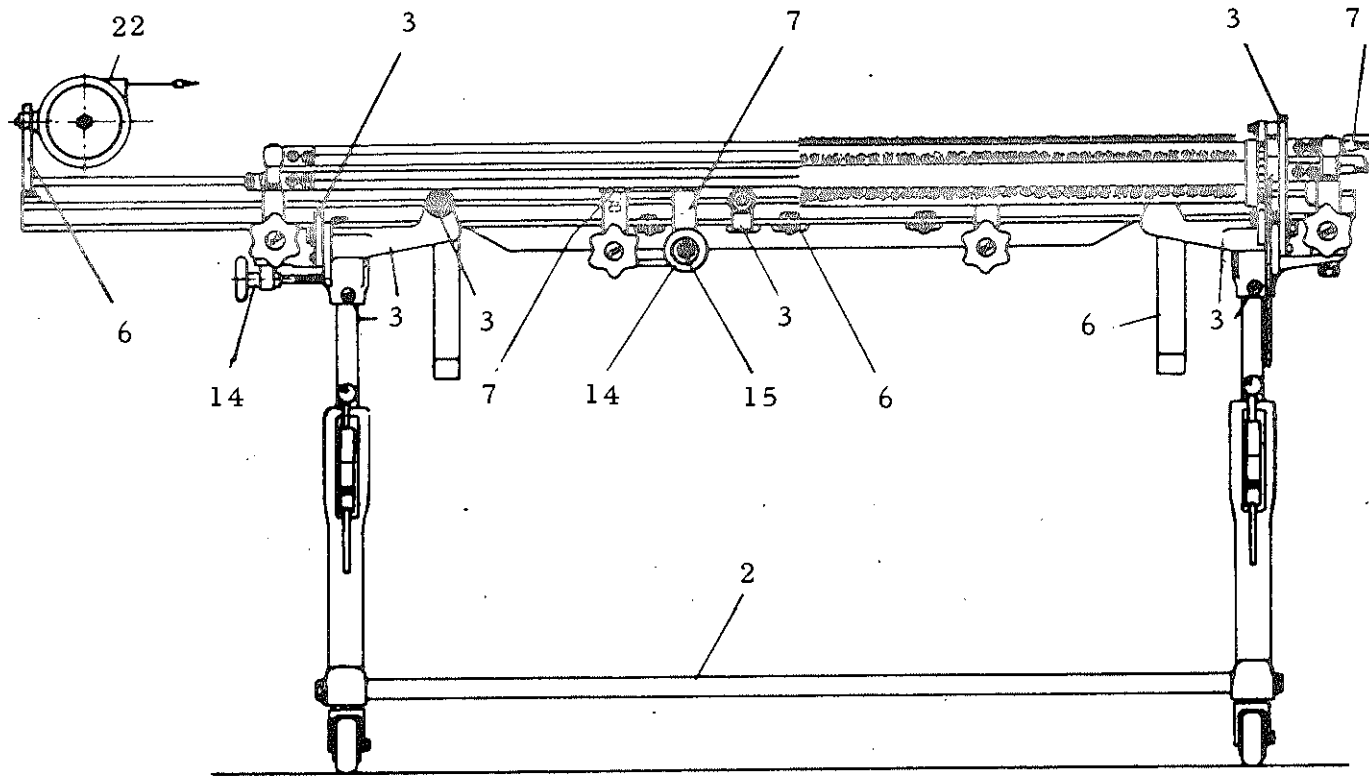
Standard types of following effective work widths are available:

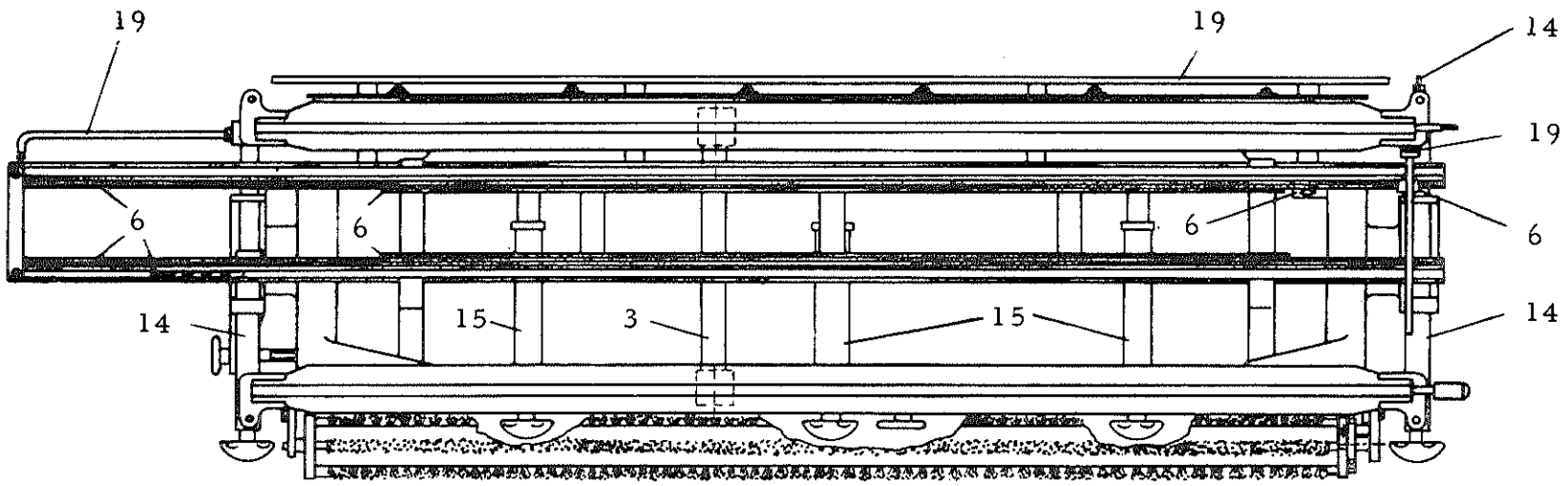
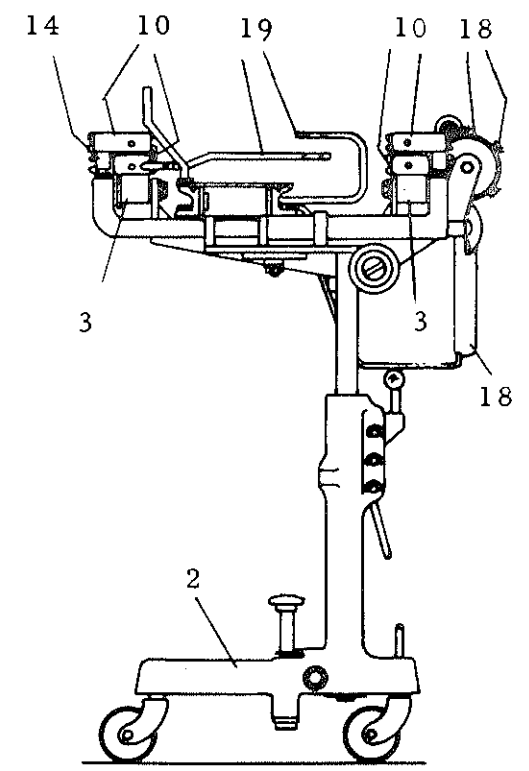
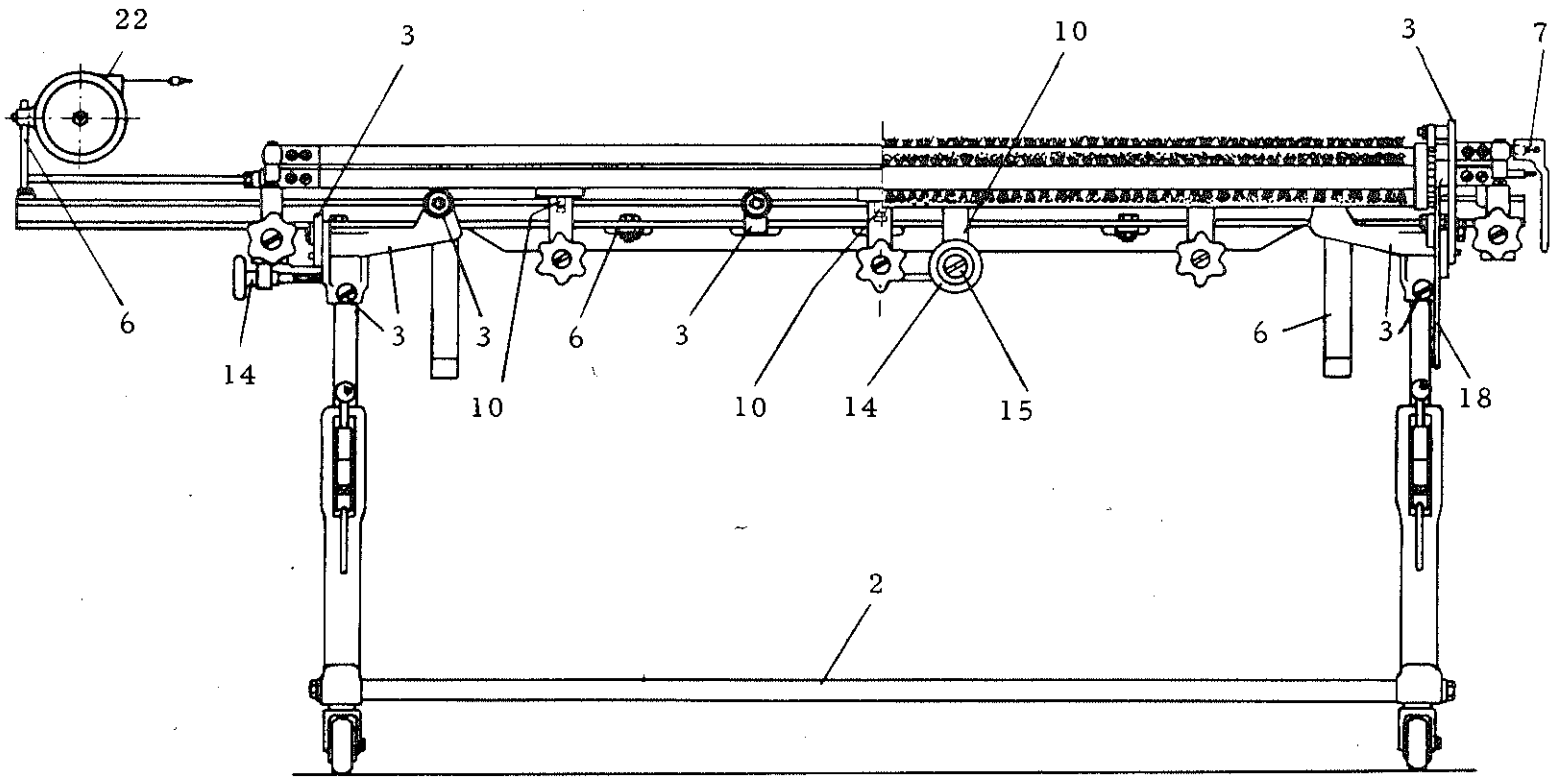
KS2-12	-	1200 mm.	-	48"
KS2-15	-	1500 mm.	-	59"
KS2-18	-	1800 mm.	-	71"
KS2-21	-	2100 mm.	-	83"
KS2-24	-	2400 mm.	-	95"
KS2-27	-	2700 mm.	-	106"
KS2-30	-	3000 mm.	-	118"
KS2-33	-	3300 mm.	-	130"
KS2-39	-	3900 mm.	-	154"

KS2.07.75.

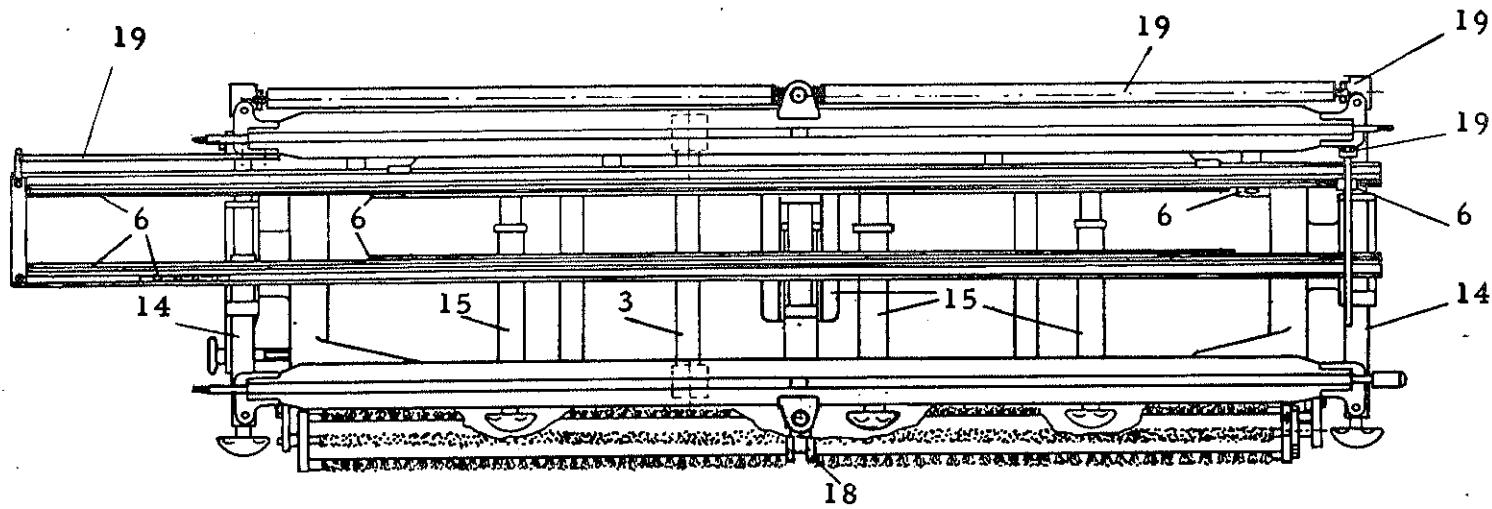
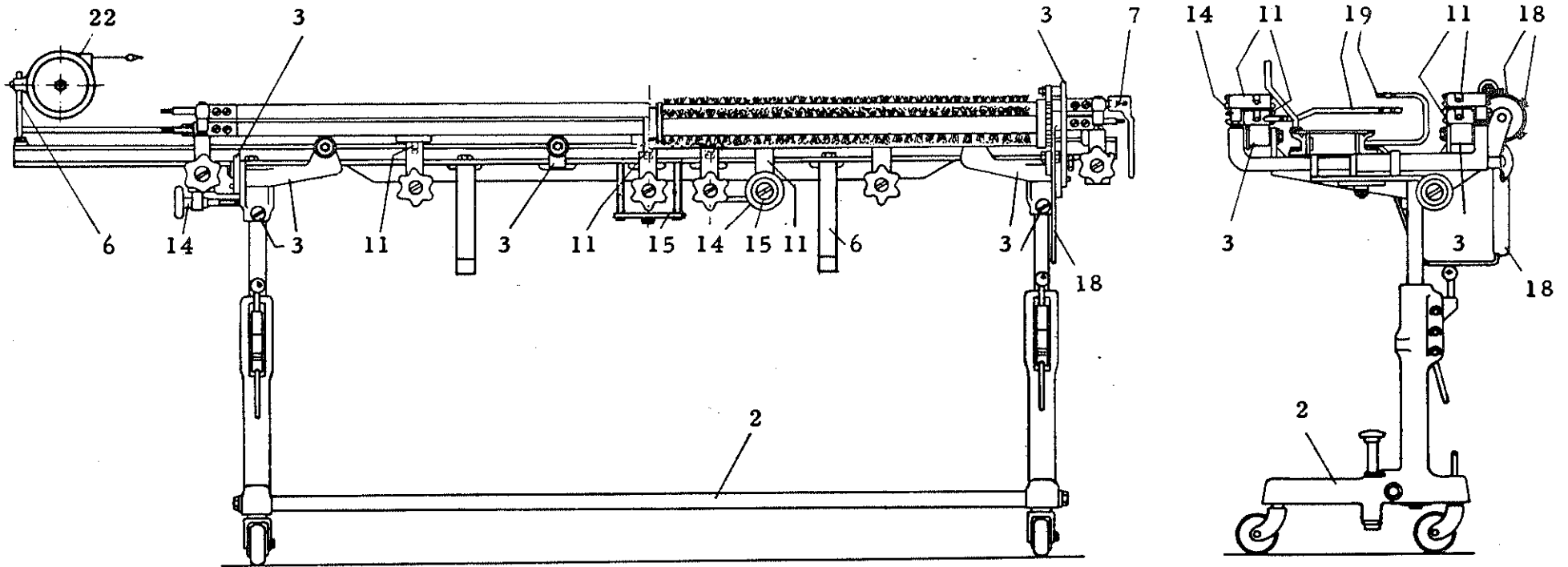
The figures on the drawings of the stands refer to page number.

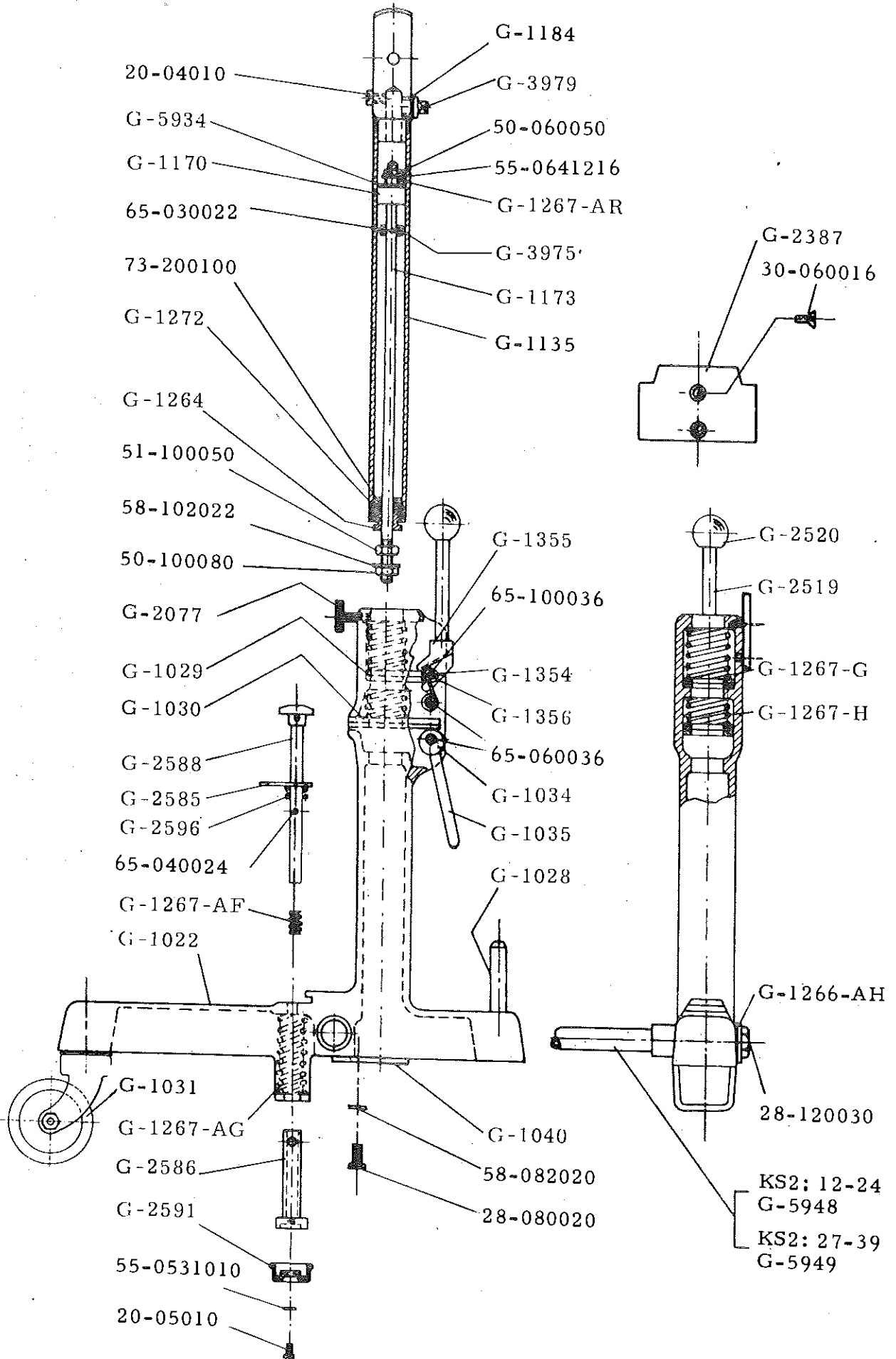
All pictures indicate model KS2.





G-2311
(KS2: 27-33)





KS2.07.75.

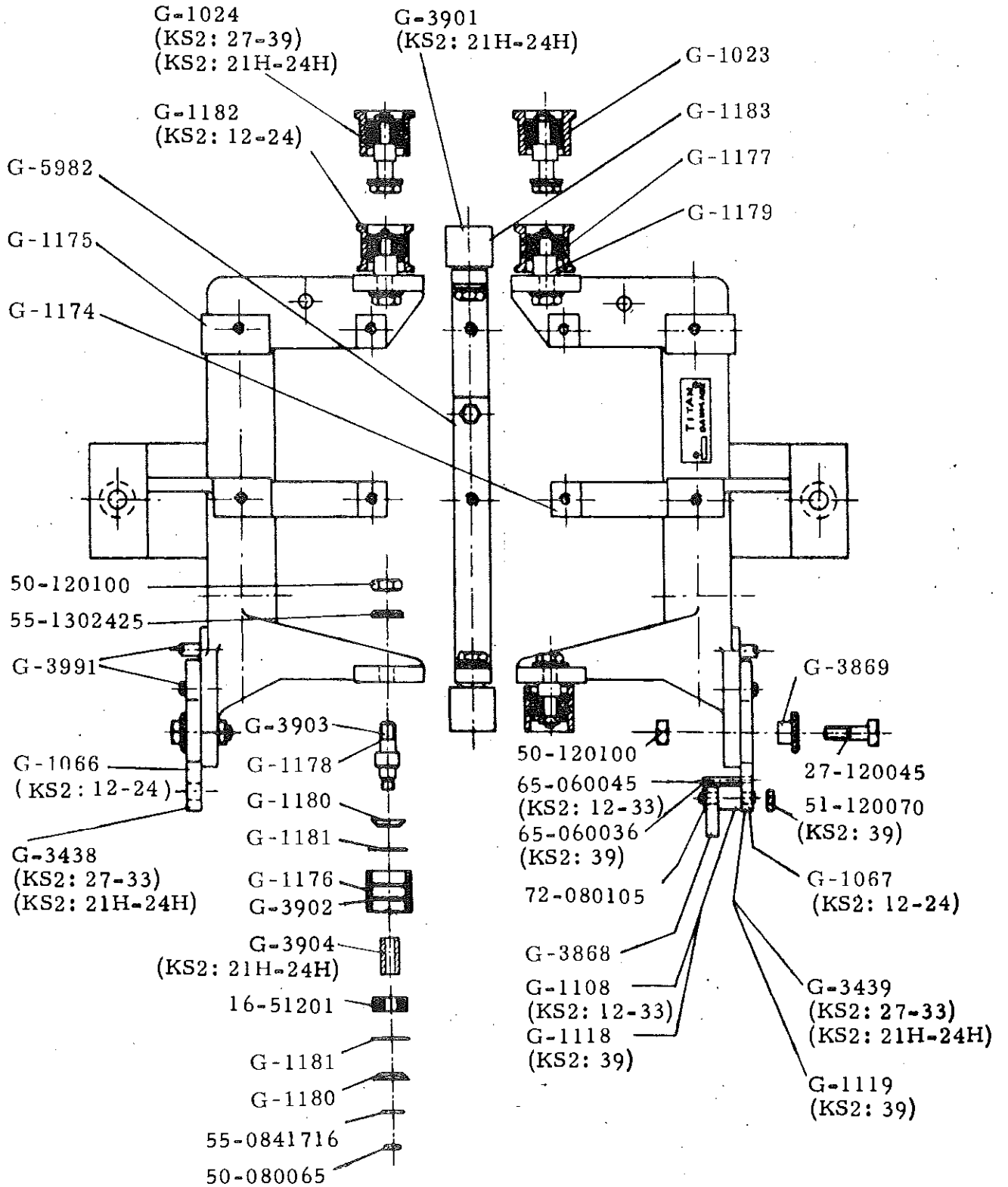
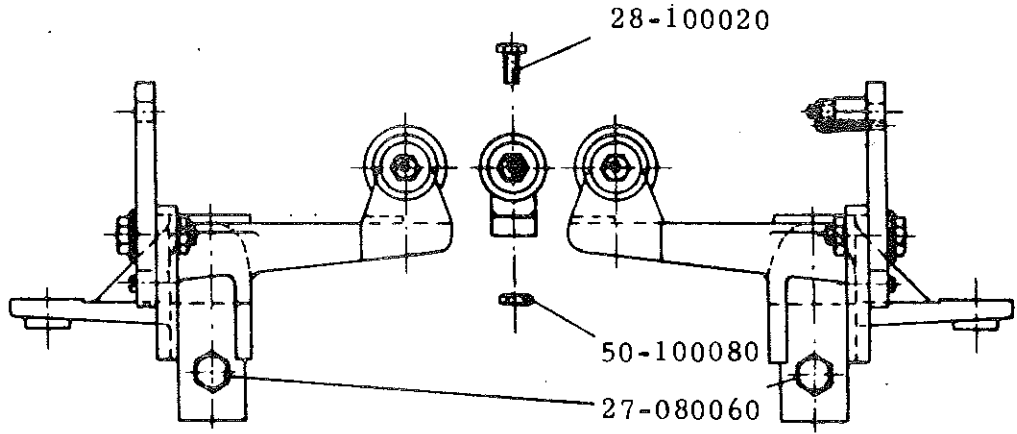
Numbers to order:

<u>KS2</u>	<u>KS2H</u>	<u>Designation</u>
<u>G-1027</u>	<u>G-1027</u>	<u>Food complete</u>
G-1022	G-1022	Food piece
G-1028	G-1028	Stud
G-1029	G-1029	Lifting ring
G-1030	G-1030	Brake ring
G-1031	G-1031	Wheel
G-1034	G-1034	Eccentric
G-1035	G-1035	Arm for eccentric
G-1040	G-1040	Cover plate
G-1267-G	G-1267-G	Spring
G-1267-H	G-1267-H	Spring
G-1267-AF	G-1267-AF	Spring
G-1267-AG	G-1267-AG	Spring
G-1354	G-1354	Torsion spring
G-1355	G-1355	Lifting hook
G-1356	G-1356	Distance ring
G-2077	G-2077	Locking screw
G-2519	G-2519	Arm for lifting hook
G-2520	G-2520	Ball
G-2585	G-2585	Locking plate
G-2586	G-2586	Holder for shoe
G-2588	G-2588	Shaft with cap
G-2591	G-2591	Rubber shoe
G-2596	G-2596	Spring
20-05010	20-05010	Screw, M5 x 10
28-080020	28-080020	Screw, M8 x 20
50-100080	50-100080	Nut, M10
55-0531010	55-0531010	Washer, $\phi 5, 3/\phi 10 \times 1$
58-082020	58-082020	Spring disc, $\phi 8, 2/\phi 14, 2 \times 2$
58-102022	58-102022	Spring disc, $\phi 10, 2/\phi 17, 2 \times 2, 2$
65-040024	65-040024	Pin, $\phi 4 \times 24$
65-060036	65-060036	Pin, $\phi 6 \times 36$
65-100036	65-100036	Pin, $\phi 10 \times 36$
<u>G-1169</u>	<u>G-1169</u>	<u>Oil brake complete</u>
G-1135	G-1135	Steel tube with plug
G-1170	G-1170	Piston
G-1173	G-1173	Piston rod
G-1184	G-1184	Fibre disc
G-1264	G-1264	Stuffing box
G-1267-AR	G-1267-AR	Spring
G-1272	G-1272	Manchet
G-3975	G-3975	Set collar
G-3979	G-3979	Plug
G-5934	G-5934	Washer
20-04010	20-04010	Screw, M4 x 10
50-060050	50-060050	Nut, M6
51-100050	51-100050	Nut, (low) M10
55-0641216	55-0641216	Washer $\phi 6, 4/\phi 12, 5 \times 1, 6$
65-030022	65-030022	Pin, $\phi 3 \times 22$
73-200100	73-200100	120 x 1
<u>G-5948-</u>	<u>G-5948-</u>	<u>Distance tube, KS2: 12-24 +)</u>
<u>G-5949-</u>	<u>G-5949-</u>	<u>Distance tube, KS2: 27-39 +)</u>
G-1266-AH	G-1266-AH	Washer, $\phi 12, 5/\phi 32 \times 4$
28-120030	28-120030	Screw, M12 x 30
<u>G-2387</u>	<u>G-2387</u>	<u>Holder</u>
30-060016	30-060016	Screw, M6 x 16

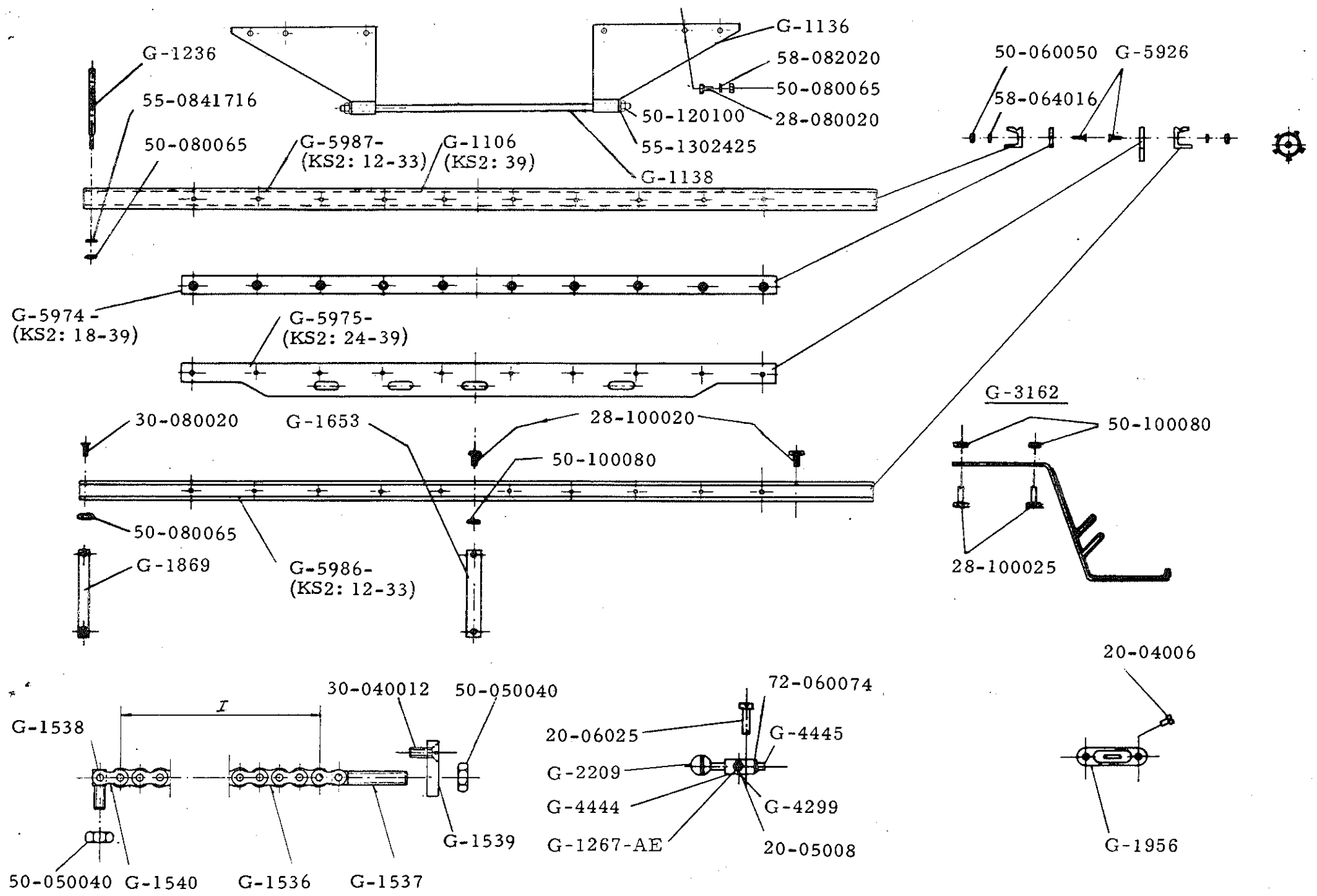
+) length of stand must be indicated by ordering

Numbers to order:

<u>KS2</u>	<u>KS2H</u>	<u>Designation</u>
<u>G-1174</u>	<u>G-1174</u>	<u>Bracket</u>
<u>G-1175</u>	<u>G-1175</u>	<u>Bracket</u>
<u>G-1182</u>	<u>G-1182</u>	<u>Guide roller, complete, KS2: 12-24</u>
G-1177	G-1177	Guide roller
G-1179	G-1179	Pivot
<u>G-1024</u>	<u>G-1024</u>	<u>Guide roller, complete, KS2: 27-39</u> <u>KS2: 21H-24H</u>
G-1023	G-1023	Guide roller
G-1179	G-1179	Pivot
<u>G-1183</u>	<u>G-1183</u>	<u>Supporting roller, complete, KS2: 12-39</u>
G-1176	G-1176	Supporting roller
G-1178	G-1178	Pivot
		<u>Spare parts for G-1182, G-1024 and G-1183:</u>
G-1180	G-1180	Disc, $\phi 31$
G-1181	G-1181	Spring ring
16-51201	16-51201	Ball bearing
50-080065	50-080065	Nut, M8
50-120100	50-120100	Nut, M12
55-0841716	55-0841716	Washer, $\phi 8, 4/\phi 17 \times 1, 6$
55-1302425	55-1302425	Washer, $\phi 13/\phi 24 \times 2, 5$
<u>G-5982</u>	<u>G-5982</u>	<u>Supporting iron</u>
28-100020	28-100020	Screw, M10 x 20
50-100080	50-100080	Nut, M10
<u>G-1066</u>	<u>G-1066</u>	<u>Fitting for brush, KS2: 12-24</u>
<u>G-1067</u>	<u>G-1067</u>	<u>Fitting for brush, KS2: 12-24</u>
<u>G-3438</u>	<u>G-3438</u>	<u>Fitting for brush, KS2: 27-33, KS2: 21H-24H</u>
<u>G-3439</u>	<u>G-3439</u>	<u>Fitting for brush, KS2: 27-33, KS2: 21H-24H</u>
G-1108	G-1108	Pivot for pawl
G-3868	G-3868	Pawl
G-3869	G-3869	Bush
G-3991	G-3991	Screw
27-080060	27-080060	Screw, M8 x 60
27-120045	27-120045	Screw, M12 x 45
50-120100	50-120100	Nut, M12
65-060045	65-060045	Pin, $\phi 6 \times 45$
72-080105	72-080105	Circlip, RS8
<u>G-1119</u>	<u>G-1119</u>	<u>Fitting for brush, KS2: 39</u>
G-1118	G-1118	Pivot
G-3868	G-3868	Pawl
51-120070	51-120070	Nut, M12
65-060036	65-060036	Pin, $\phi 6 \times 36$
72-080105	72-080105	Circlip, RS8
G-3901	G-3901	Supporting roller, compl. KS2: 21H-24H
G-3902	G-3902	Supporting roller, KS2: 21H-24H
G-3903	G-3903	Pivot, KS2: 21H-24H
G-3904	G-3904	Distance bush, KS2: 21H-24H



KS2.07.75



KS2.07.75

Numbers to order:

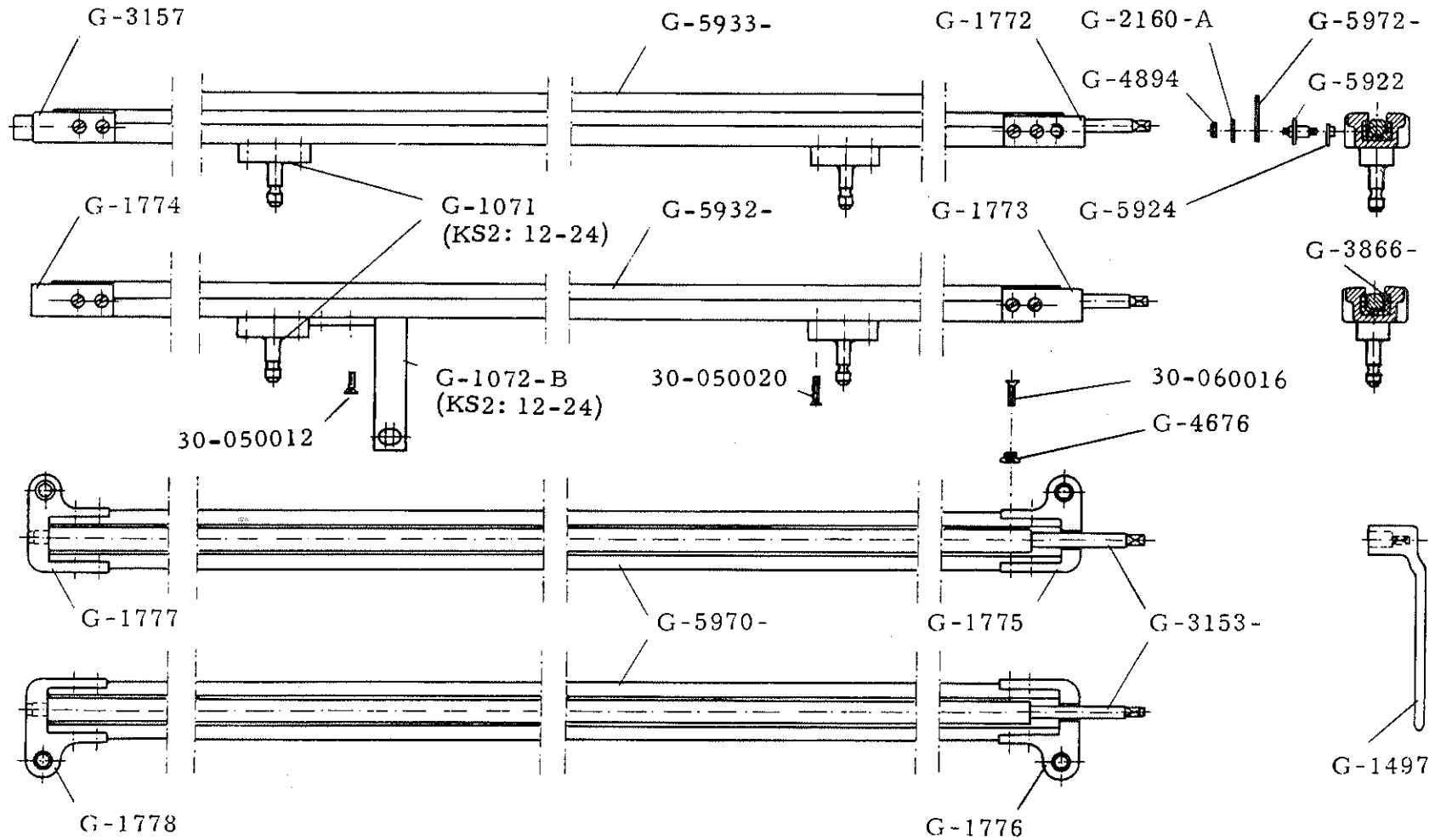
<u>KS2</u>	<u>KS2H</u>	<u>Designation</u>
<u>G-5986-</u>	<u>G-9404-</u>	<u>Rails, foremost, (KS2: 12-33) +)</u>
<u>G-5987-</u>	<u>G-9405-</u>	<u>Rails, backmost, (KS2: 12-33) +)</u>
<u>G-1139</u>	<u>G-9435</u>	<u>Rails, (KS2: 39)</u>
G-1106	G-9434	Rails
G-1136	G-1136	Plate
G-1138	G-1138	Stay
28-080020	28-080020	Screw, M8 x 20
50-080065	50-080065	Nut, M8
50-120100	50-120100	Nut, M12
55-1302425	55-1302425	Washer, $\phi 13/\phi 24 \times 2, 5$
58-082020	58-082020	Spring disc, $\phi 8, 2/\phi 14, 2 \times 2$
G-5974-	G-5974-	Strengthening rails, foremost, (KS2: 18-21) +)
G-5975-	G-9424-	Strengthening rails, foremost, (KS2: 24-39) +)
G-5974-	G-5974-	Strengthening rails, backmost, (KS2: 18-39) +)
G-5926	G-5926	Screw
50-060050	50-060050	Nut, M6
58-064016	58-064016	Spring disc, $\phi 6, 5/\phi 11, 5 \times 1, 6$
<u>G-1236</u>	<u>G-1236</u>	<u>Holder f. knot wire tightener, complete</u>
50-080065	50-080065	Nut, M8
55-0841716	55-0841716	Washer, $\phi 8, 4/\phi 17 \times 1, 6$
<u>G-4443</u>	<u>G-4443</u>	<u>Lock, complete</u>
G-1267-AE	G-1267-AE	Spring
G-2209	G-2209	Ball handle
G-4299	G-4299	Ball
G-4444	G-4444	Bearing
G-4445	G-4445	Lock pivot
20-05008	20-05008	Screw, M5 x 8
20-06025	20-06025	Screw, M6 x 25
72-060074	72-060074	Seeger circlip, RS6
<u>G-1653</u>	<u>G-1653</u>	<u>Plate</u>
28-100020	28-100020	Screw, M10 x 20
50-100080	50-100050	Nut, M10
<u>G-1869</u>	<u>G-1869</u>	<u>Plate</u>
30-080020	30-080020	Screw, M8 x 20
50-080065	50-080065	Nut, M8
<u>G-1956</u>	<u>G-1956</u>	<u>Spirit level, complete</u>
20-04006	20-04006	Screw, M4 x 6
<u>G-3162</u>	<u>G-3162</u>	<u>Support iron, complete</u>
28-100025	28-100025	Screw, M10 x 25
50-100080	50-100080	Nut, M10
<u>G-1535-</u>	<u>G-1535-</u>	<u>Chain, complete +)</u>
G-1536	G-1536	Chain
G-1537	G-1537	Chain tightener
G-1538	G-1538	Pivot
G-1539	G-9407	Bracket
G-1540	G-1540	Outer link
30-040012	30-040012	Screw, M4 x 12
50-050040	50-050040	Nut, M5

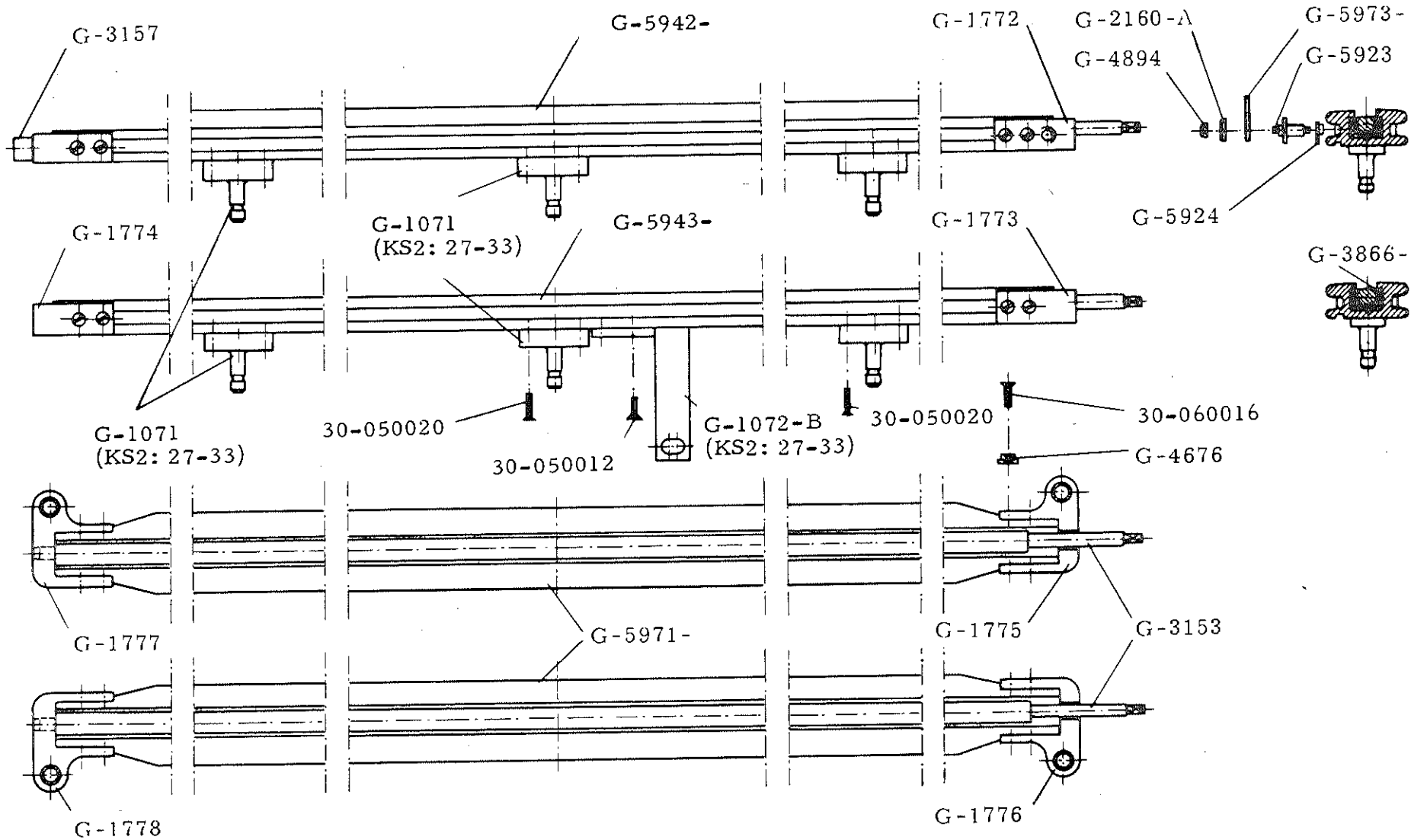
+) Length of stand must be indicated by ordering

Numbers to order:

<u>KS2</u>	<u>KS2H</u>	<u>Designation</u>
<u>G-5928-</u>	<u>G-5928-</u>	<u>Yarn clamp, compl. Up, near. (KS2: 12-24) +)</u>
G-5970-	G-5970-	Yarn clamp +)
G-1776	G-1776	End piece
G-1778	G-1778	End piece
G-3153-	G-9412-	Clamp rod +)
G-3866-	G-3866-	Rubber list +)
G-4676	G-4676	Bush
30-060016	30-060016	Screw, M6 x 16
<u>G-5929-</u>	<u>G-5929-</u>	<u>Yarn clamp, compl. Up, farth. (KS2: 12-24) +)</u>
G-5970-	G-5970-	Yarn clamp +)
G-1775	G-1775	End piece
G-1777	G-1777	End piece
G-3153-	G-9412-	Clamp rod +)
G-3866-	G-3866-	Rubber list +)
G-4676	G-4676	Bush
30-060016	30-060016	Screw, M6 x 16
<u>G-5930-</u>	<u>G-9409-</u>	<u>Yarn clamp, compl. Low, near. (KS2: 12-24) +)</u>
G-5932-	G-9408-	Yarn clamp +)
G-1773	G-1773	End piece
G-1774	G-1774	End piece
G-3153-	G-9412-	Clamp rod +)
G-3866-	G-3866-	Rubber list +)
G-4676	G-4676	Bush
30-060016	30-060016	Screw, M6 x 16
<u>G-1071</u>	<u>G-1071</u>	<u>Fitting</u>
30-050020	30-050020	Screw, M5 x 20
<u>G-1072-B</u>	<u>G-1072-B</u>	<u>Fitting</u>
30-050012	30-050012	Screw, M5 x 12
<u>G-5931-</u>	<u>G-9418-</u>	<u>Yarn clamp, compl. Low, farth. (KS2: 12-24) +)</u>
G-5933-	G-5933-	Yarn clamp +)
G-1772	G-9402	End piece
G-3153-	G-9412-	Clamp rod +)
G-3157	G-9403	End piece
G-3866-	G-3866-	Rubber list +)
G-4676	G-4676	Bush
30-060016	30-060016	Screw, M6 x 16
<u>G-1071</u>	<u>G-1071</u>	<u>Fitting</u>
30-050020	30-050020	Screw, M5 x 20
G-2160-A	G-2160-A	Washer
G-4894	G-4894	Nut, M5
G-5922	G-5922	Pivot
G-5924	G-5924	Washer
G-5972-	G-5972-	Brass rail +)
<u>G-1497</u>	<u>G-1497</u>	<u>Key for clamp rod</u>

+) Length of stand must be indicated by ordering.





KS2.07.75.

Numbers to order:

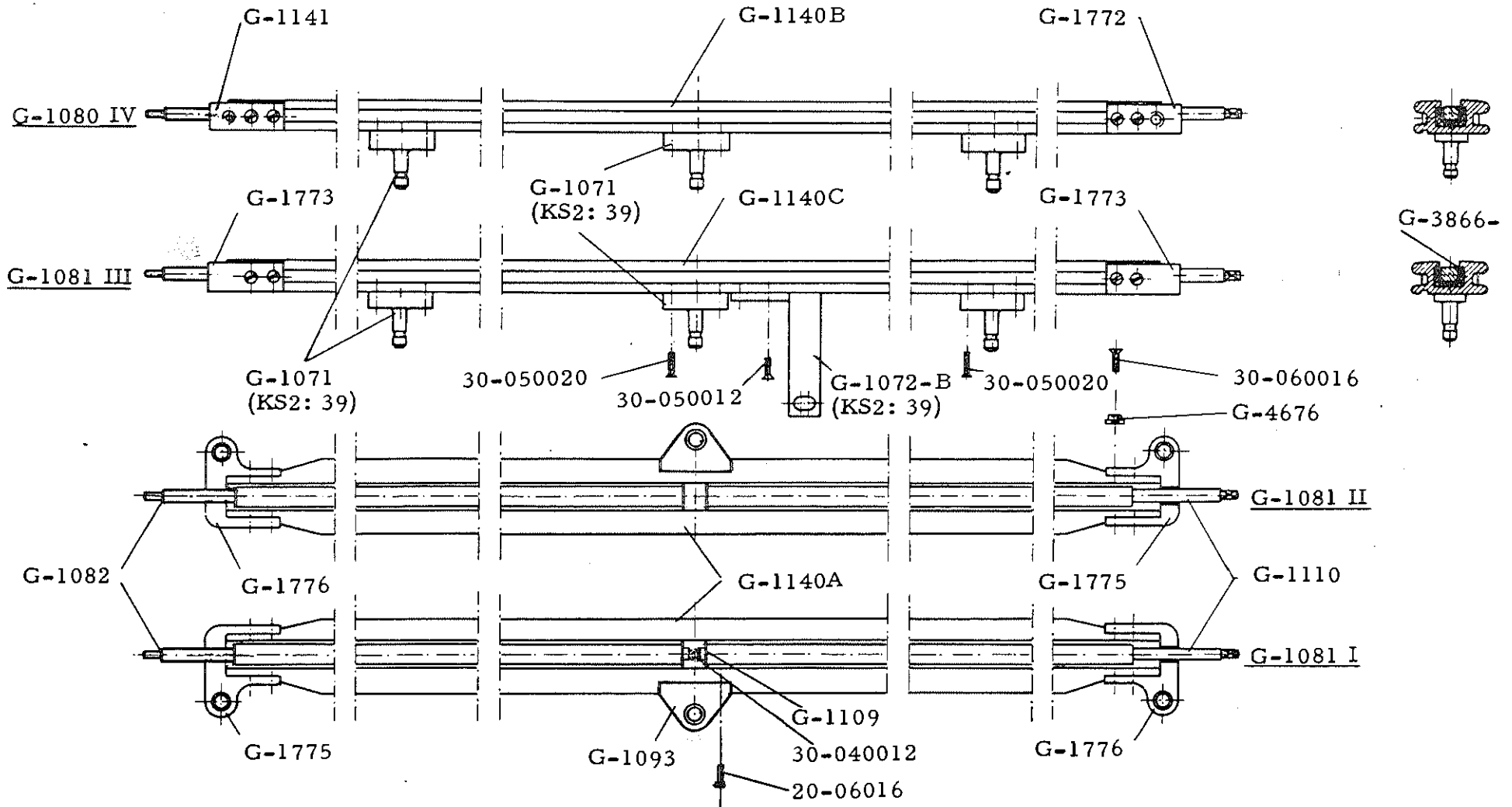
<u>KS2</u>	<u>KS2H</u>	<u>Designation</u>
<u>G-5935-</u>	<u>G-5935-</u>	<u>Yarn clamp, compl, Up, near, (KS2: 27-33) +)</u>
G-5971-	G-5971-	Yarn clamp +) <u>(KS2: 21H-24H)</u>
G-1776	G-1776	End piece
G-1778	G-1778	End piece
G-3153-	G-9412-	Clamp rod +)
G-3866-	G-3866-	Rubber list +)
G-4676	G-4676	Bush
30-060016	30-060016	Screw, M6 x 16
<u>G-5936-</u>	<u>G-5936-</u>	<u>Yarn clamp, compl, Up, farth, (KS2: 27-33) +)</u>
G-5971-	G-5971-	Yarn clamp +) <u>(KS2: 21H-24H)</u>
G-1775	G-1775	End piece
G-1777	G-1777	End piece
G-3153-	G-9412-	Clamp rod +)
G-3866-	G-3866-	Rubber list +)
G-4676	G-4676	Bush
30-060016	30-060016	M6 x 16
<u>G-5937-</u>	<u>G-9420-</u>	<u>Yarn clamp, compl, Low, near, (KS2: 27-33) +)</u>
G-5943-	G-9422-	Yarn clamp +) <u>(KS2: 21H-24H)</u>
G-1773	G-1773	End piece
G-1774	G-1774	End piece
G-3153-	G-9412-	Clamp rod +)
G-3866-	G-3866-	Rubber list +)
G-4676	G-4676	Bush
30-060016	30-060016	Screw, M6 x 16
<u>G-1071</u>	<u>G-1071</u>	<u>Fitting</u>
30-050020	30-050020	Screw, M5 x 20
<u>G-1072-B</u>	<u>G-1072-B</u>	<u>Fitting</u>
30-050012	30-050012	Screw, M5 x 12
<u>G-5938-</u>	<u>G-9419-</u>	<u>Yarn clamp, compl, Low, farth, (KS2: 27-33)+)</u>
G-5942-	G-5942-	Yarn clamp +) <u>(KS2: 21H-24H)</u>
G-1772	G-9402	End piece
G-3153-	G-9412-	Clamp rod +)
G-3157	G-9403	End piece
G-3866-	G-3866-	Rubber list +)
G-4676	G-4676	Bush
30-060016	30-060016	Screw, M6 x 16
<u>G-1071</u>	<u>G-1071</u>	<u>Fitting</u>
30-050020	30-050020	Screw, M5 x 20
G-2160-A	G-2160-A	Washer
G-4894	G-4894	Nut, M5
G-5923	G-5923	Pivot
G-5924	G-5924	Washer
G-5973-	G-5973-	Brass rail +)

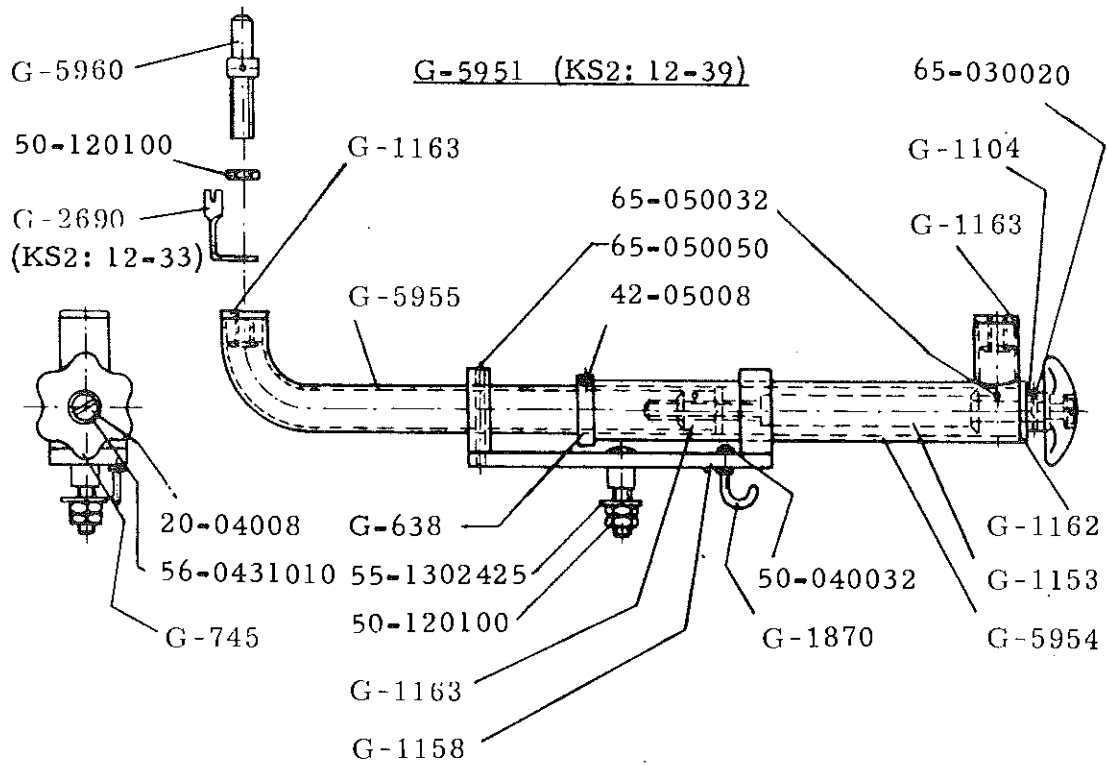
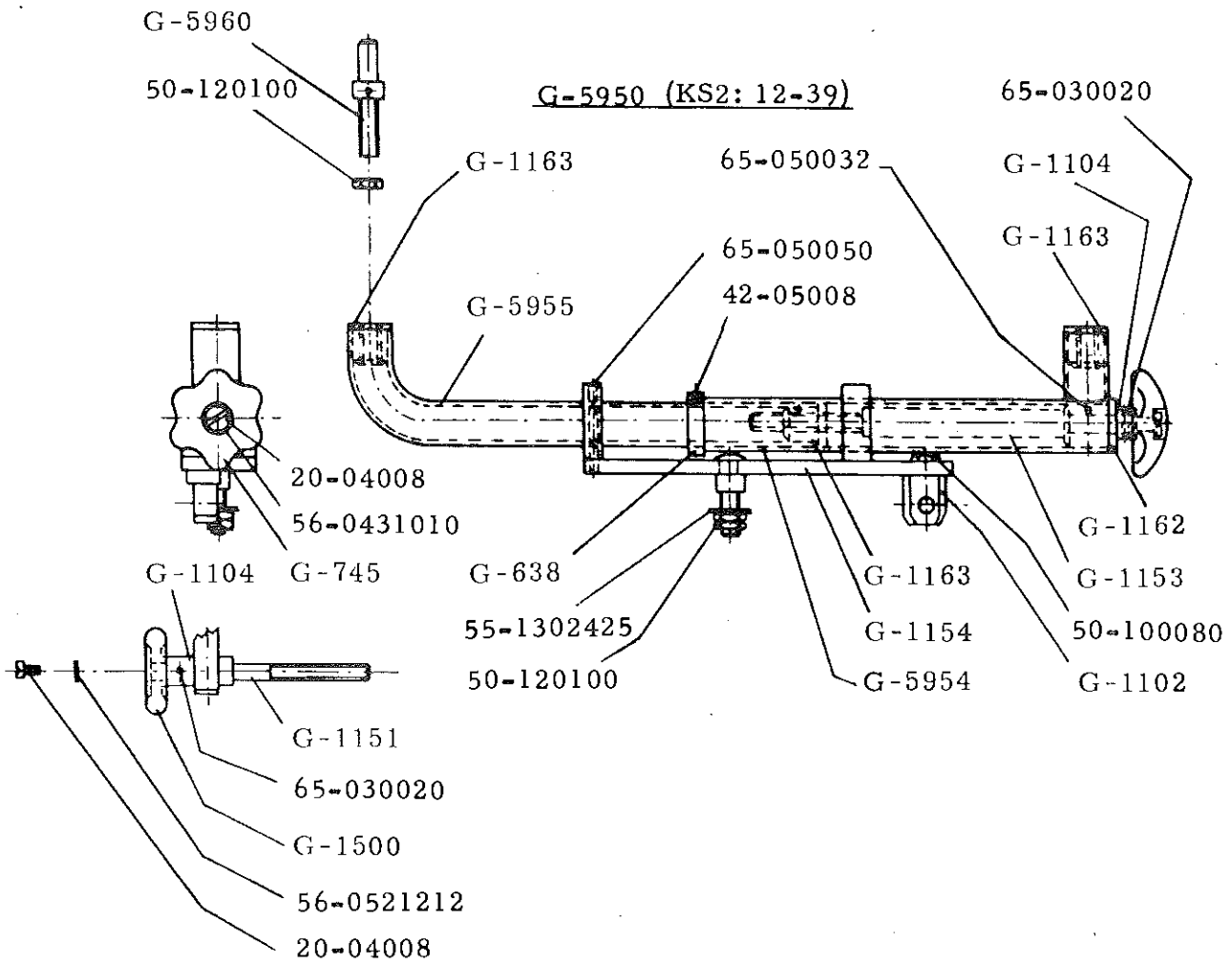
KS2.07.75.

+) Length of stand must be indicated by ordering

Numbers to order:

<u>KS2</u>	<u>KS2H</u>	<u>Designation</u>
<u>G-1081 I</u>	<u>G-1081 I</u>	<u>Yarn clamp, compl, Up, near, (KS2: 39)</u>
<u>G-1081 II</u>	<u>G-1081 II</u>	<u>Yarn clamp, compl, Up, farth, (KS2: 39)</u>
G-1140A	G-1140A	Yarn clamp
G-1082	G-1082	Clamp rod
G-1093	G-1093	Fitting
G-1109	G-1109	Distance piece
G-1110	G-1110	Clamp rod
G-1775	G-1775	End piece
G-1776	G-1776	End piece
G-3866-	G-3866-	Rubber list
G-4676	G-4676	Bush
20-06016	20-06016	Screw, M6 x 16
30-040012	30-040012	Screw, M4 x 12
30-060016	30-060016	Screw, M6 x 16
<u>G-1081 III</u>	<u>G-9439 I</u>	<u>Yarn clamp, compl, Low, near, (KS2:39)</u>
G-1140C	G-9440	Yarn clamp
G-1071	G-1071	Fitting
G-1072-B	G-1072-B	Fitting
G-1082	G-1082	Clamp rod
G-1109	G-1109	Distance piece
G-1110	G-1110	Clamp rod
G-1773	G-1773	End piece
G-3866-	G-3866-	Rubber list
G-4676	G-4676	Bush
30-040012	30-040012	Screw, M4 x 12
30-050012	30-050012	Screw, M5 x 12
30-050020	30-050020	Screw, M5 x 20
30-060016	30-060016	Screw, M6 x 16
<u>G-1081 IV</u>	<u>G-9439 II</u>	<u>Yarn clamp, compl, Low, farth (KS2: 39)</u>
G-1140B	G-1140B	Yarn clamp
G-1071	G-1071	Fitting
G-1082	G-1082	Clamp rod
G-1109	G-1109	Distance piece
G-1110	G-1110	Clamp rod
G-1141	G-9442	End piece
G-1772	G-1772	End piece
G-3866-	G-3866-	Rubber list
G-4676	G-4676	Bush
30-040012	30-040012	Screw, M4 x 12
30-050020	30-050020	Screw, M5 x 20
30-060016	30-060016	Screw, M6 x 16



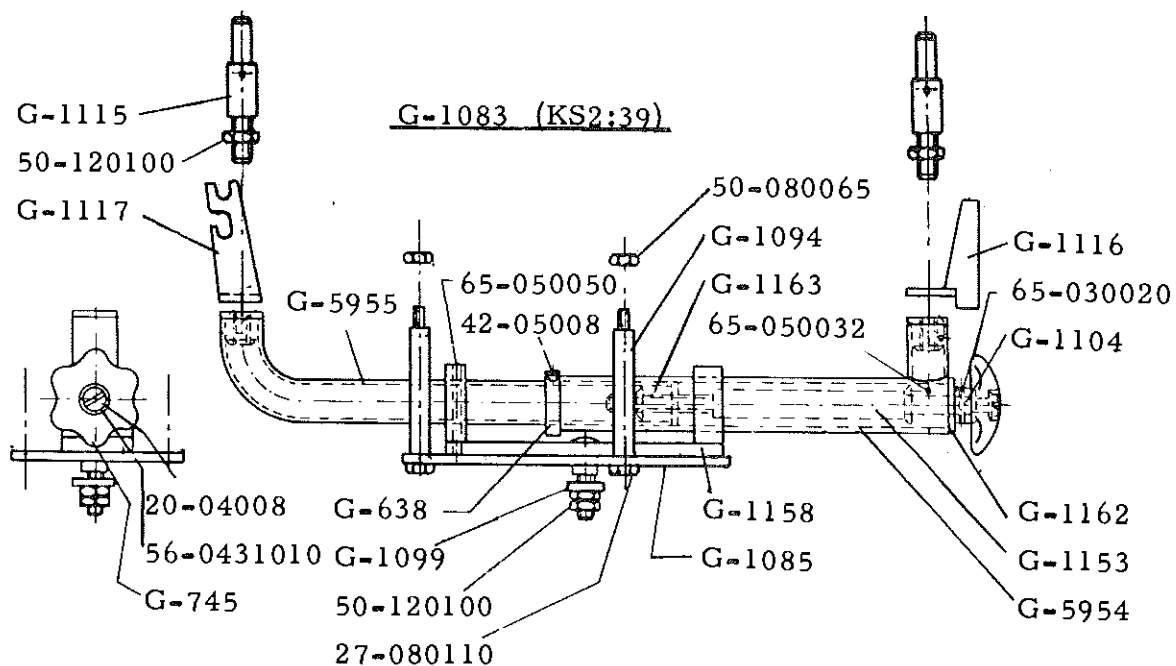
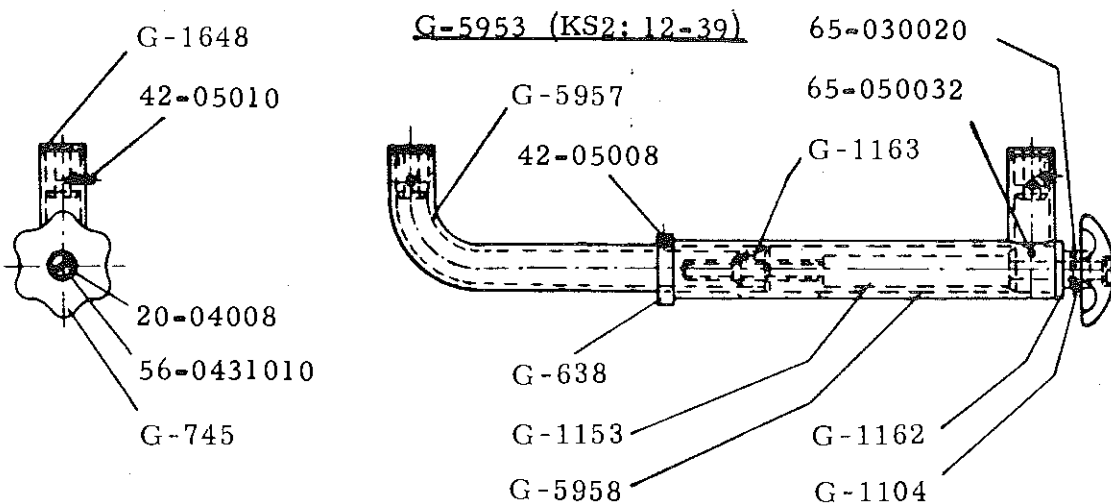
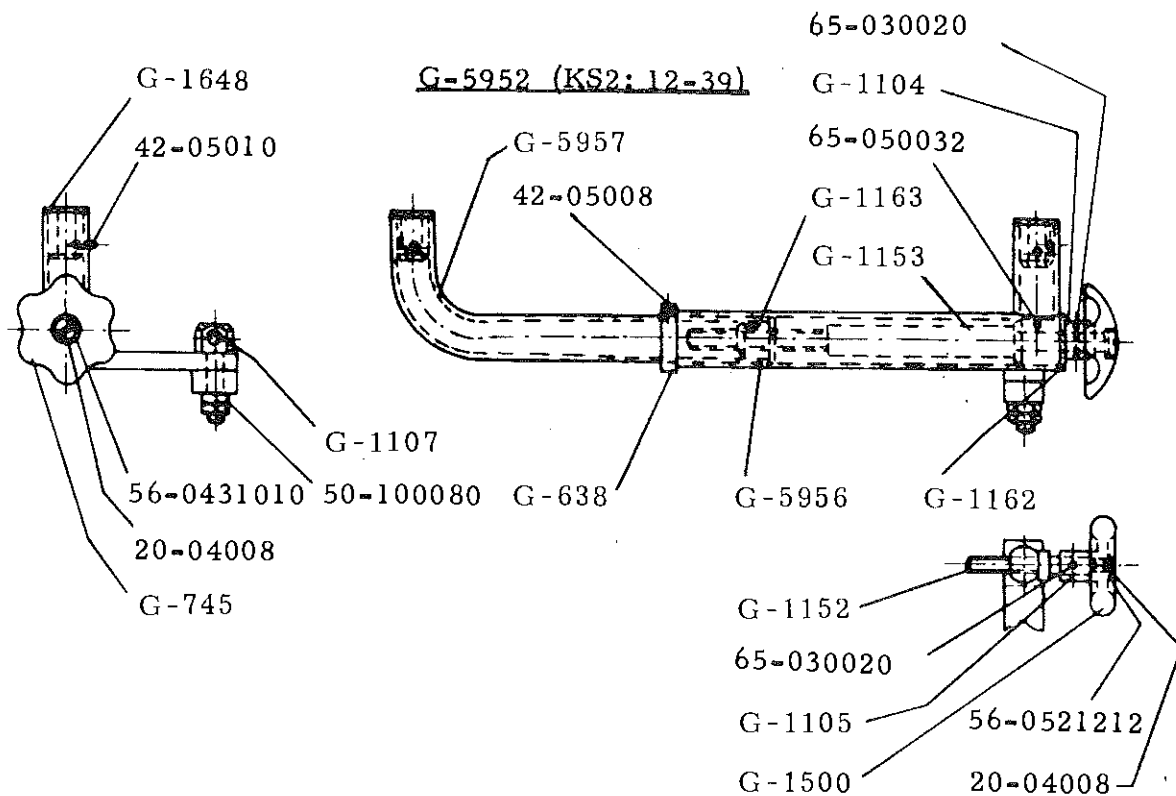


Numbers to order:

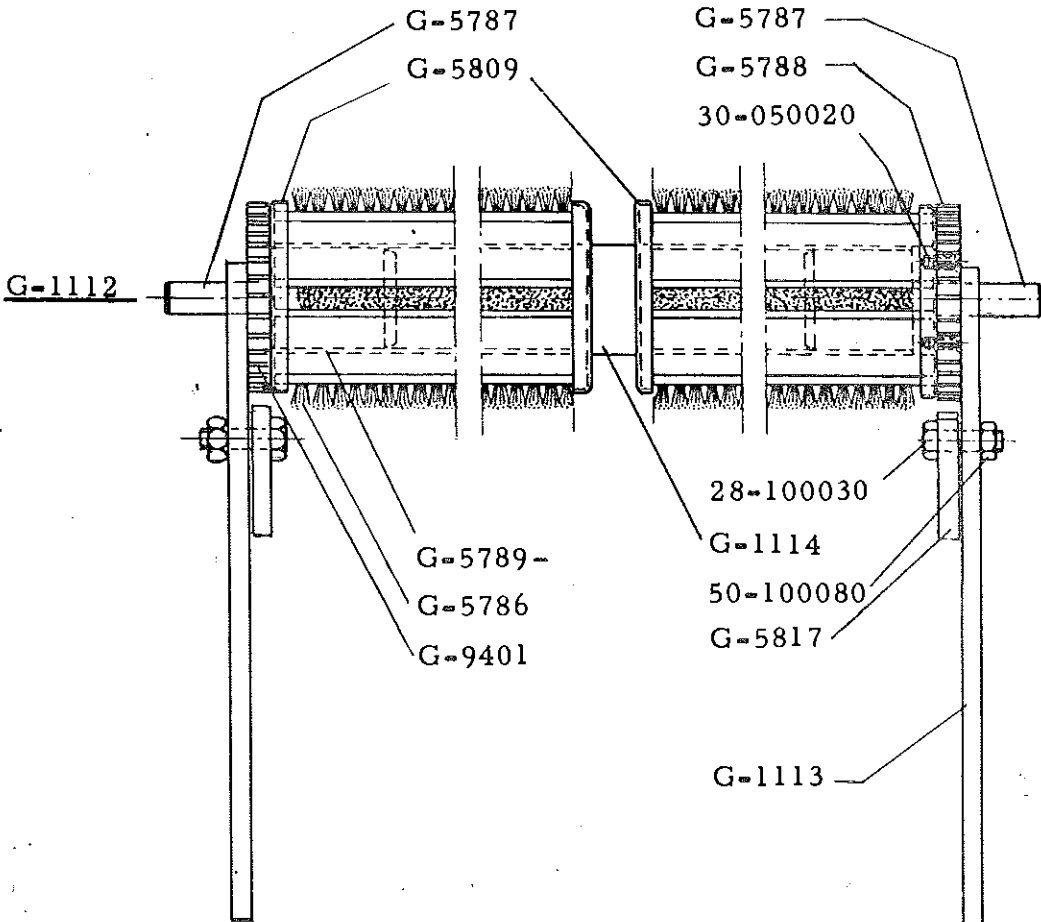
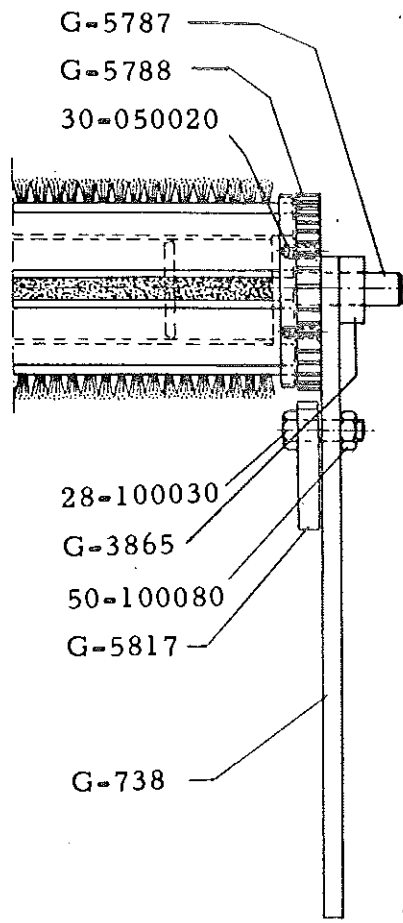
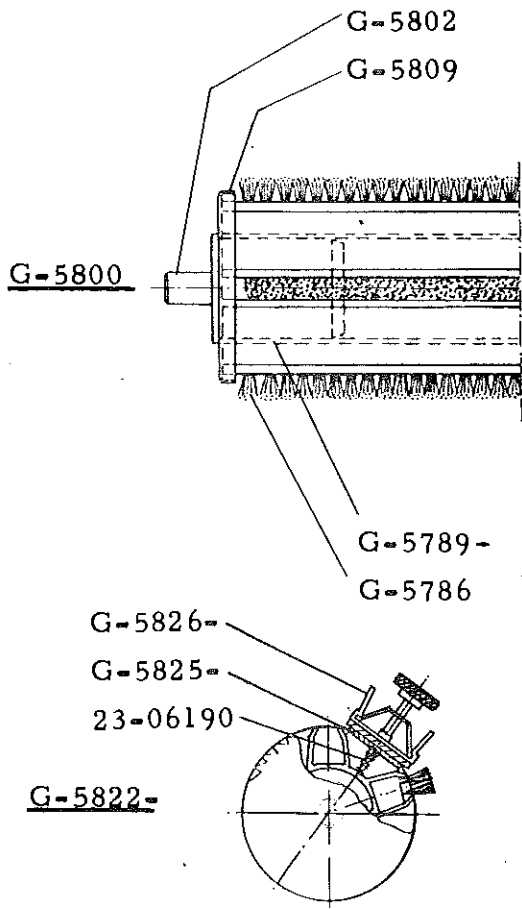
<u>KS2</u>	<u>KS2H</u>	<u>Designation</u>
<u>G-5950</u>	<u>G-9423</u>	<u>Adjustment f, upper varn layer, left, compl.</u>
G-638	G-638	Set collar
G-745	G-745	Hand wheel
G-1102	G-1102	Driver
G-1104	G-1104	Distance bush
G-1153	G-1153	Spindle
G-1154	G-9413	Tube holder
G-1162	G-1162	Plug, smooth
G-1163	G-1163	Plug, threaded
G-5954	G-5954	Tube, outer (with plugs and pins)
G-5955	G-5955	Tube, inner (with plugs)
20-04008	20-04008	Screw, M4 x 8
42-05008	42-05008	Screw, M5 x 8
50-100080	50-100080	Nut, M10
50-120100	50-120100	Nut, M12
55-1302425	55-1302425	Washer, $\phi 13/\phi 24 \times 2,5$
56-0431010	56-0431010	Washer, $\phi 4,3/\phi 10 \times 1$
65-030020	65-030020	Pin, $\phi 3 \times 20$
65-050032	65-050032	Pin, $\phi 5 \times 32$
65-050050	65-050050	Pin, $\phi 5 \times 50$
<u>G-5951</u>	<u>G-9427</u>	<u>Adjustment f, upper varn layer, right, compl.</u>
G-638	G-638	Set collar
G-745	G-745	Hand wheel
G-1104	G-1104	Distance bush
G-1153	G-1153	Spindle
G-1158	G-9414	Tube holder
G-1162	G-1162	Plug, smooth
G-1163	G-1163	Plug, threaded
G-1870	G-1870	Hook
G-5954	G-5954	Tube, outer (with plugs and pins)
G-5955	G-5955	Tube, inner (with plugs)
20-04008	20-04008	Screw, M4 x 8
42-05008	42-05008	Screw, M5 x 8
50-040032	50-040032	Nut, M4
50-120100	50-120100	Nut, M12
55-1302425	55-1302425	Washer, $\phi 13/\phi 24 \times 2,5$
56-0431010	56-0431010	Washer, $\phi 4,3/\phi 10 \times 1$
65-030020	65-030020	Pin, $\phi 3 \times 20$
65-050032	65-050032	Pin, $\phi 5 \times 32$
65-050050	65-050050	Pin, $\phi 5 \times 50$
<u>G-5960</u>	<u>G-5960</u>	<u>Pivot</u>
50-120100	50-120100	Nut, M12
<u>G-2690</u>	<u>G-2690</u>	<u>Holder for knot wire (KS2: 12-33)</u>
G-1104	G-1104	Bush
G-1151	G-1151	Spindle
G-1500	G-1500	Hand wheel
20-04008	20-04008	Screw, M4 x 8
56-0521212	56-0521212	Washer, $\phi 5,2/\phi 12 \times 1,25$
65-030020	65-030020	Pin, $\phi 3 \times 20$

Numbers to order:

<u>KS2</u>	<u>KS2H</u>	<u>Designation</u>
<u>G-5952</u>	<u>G-9428</u>	<u>Adjustment f. lower yarn layer, compl.</u>
G-638	G-638	Set collar
G-745	G-745	Hand wheel
G-1104	G-1104	Distance bush
G-1107	G-1107	Driver
G-1153	G-1153	Spindle
G-1162	G-1162	Plug, smooth
G-1163	G-1163	Plug, threaded
G-1648	G-1648	Plug, smooth
G-5956	G-9410	Tube, outer (with plugs and pins)
G-5957	G-5957	Tube, inner (with plugs)
20-04008	20-04008	Screw, M4 x 8
42-05008	42-05008	Screw, M5 x 8
42-05010	42-05010	Screw, M5 x 10
50-100080	50-100080	Nut, M10
56-0431010	56-0431010	Washer, $\phi 4, 3/\phi 10 \times 1$
65-030020	65-030020	Pin, $\phi 3 \times 20$
65-050032	65-050032	Pin, $\phi 5 \times 32$
<u>G-5953</u>	<u>G-5953</u>	<u>Adjustment f. lower yarn layer, compl.</u>
G-638	G-638	Set collar
G-745	G-745	Hand wheel
G-1104	G-1104	Distance bush
G-1153	G-1153	Spindle
G-1162	G-1162	Plug, smooth
G-1163	G-1163	Plug, threaded
G-1648	G-1648	Plug, smooth
G-5957	G-5957	Tube, inner (with plugs)
G-5958	G-5958	Tube, outer (with plugs and pins)
20-04008	20-04008	Screw, M4 x 8
42-05008	42-05008	Screw, M5 x 8
42-05010	42-05010	Screw, M5 x 10
56-0431010	56-0431010	Washer, $\phi 4, 3/\phi 10 \times 1$
65-030020	65-030020	Pin, $\phi 3 \times 20$
65-050032	65-050032	Pin, $\phi 5 \times 32$
G-1105	G-1105	Bush
G-1152	G-1152	Spindle
G-1500	G-1500	Hand wheel
20-04008	20-040081	Screw, M4 x 8
56-0521212	56-0521212	Washer, $\phi 5, 2/\phi 12 \times 1, 25$
65-030020	65-030020	Pin, $\phi 3 \times 20$
<u>G-1083</u>	<u>G-9432</u>	<u>Adjustment f. upper yarn layer. (KS2:39)</u>
G-638	G-638	Set collar
G-745	G-745	Hand wheel
G-1085	G-1085	Supporting plate
G-1094	G-1094	Distance tube
G-1099	G-1099	Distance bush
G-1104	G-1104	Distance bush
G-1115	G-1115	Pivot
G-1116	G-1116	Support
G-1117	G-1117	Holder f. guide roller
G-1153	G-1153	Spindle
G-1158	G-9414	Tube holder
G-1162	G-1162	Plug, smooth
G-1163	G-1163	Plug, threaded
G-5954	G-5954	Tube, outer (with plugs and pins)
G-5955	G-5955	Tube, inner (with plugs)
20-04008	20-04008	Screw, M4 x 8
27-080110	27-080110	Screw, M8 x 110



KS2.07.75.



Numbers to order:

KS2	KS2H	Designation
42-05008	42-05008	Screw, M5 x 8
50-080065	50-080065	Nut, M8
50-120100	50-120100	Nut, M12
56-0431010	56-0431010	Washer, $\phi 4, 3/\phi 10 \times 1$
65-030020	65-030020	Pin, $\phi 3 \times 20$
65-050032	65-050032	Pin, $\phi 5 \times 32$
65-050050	65-050050	Pin, $\phi 5 \times 50$

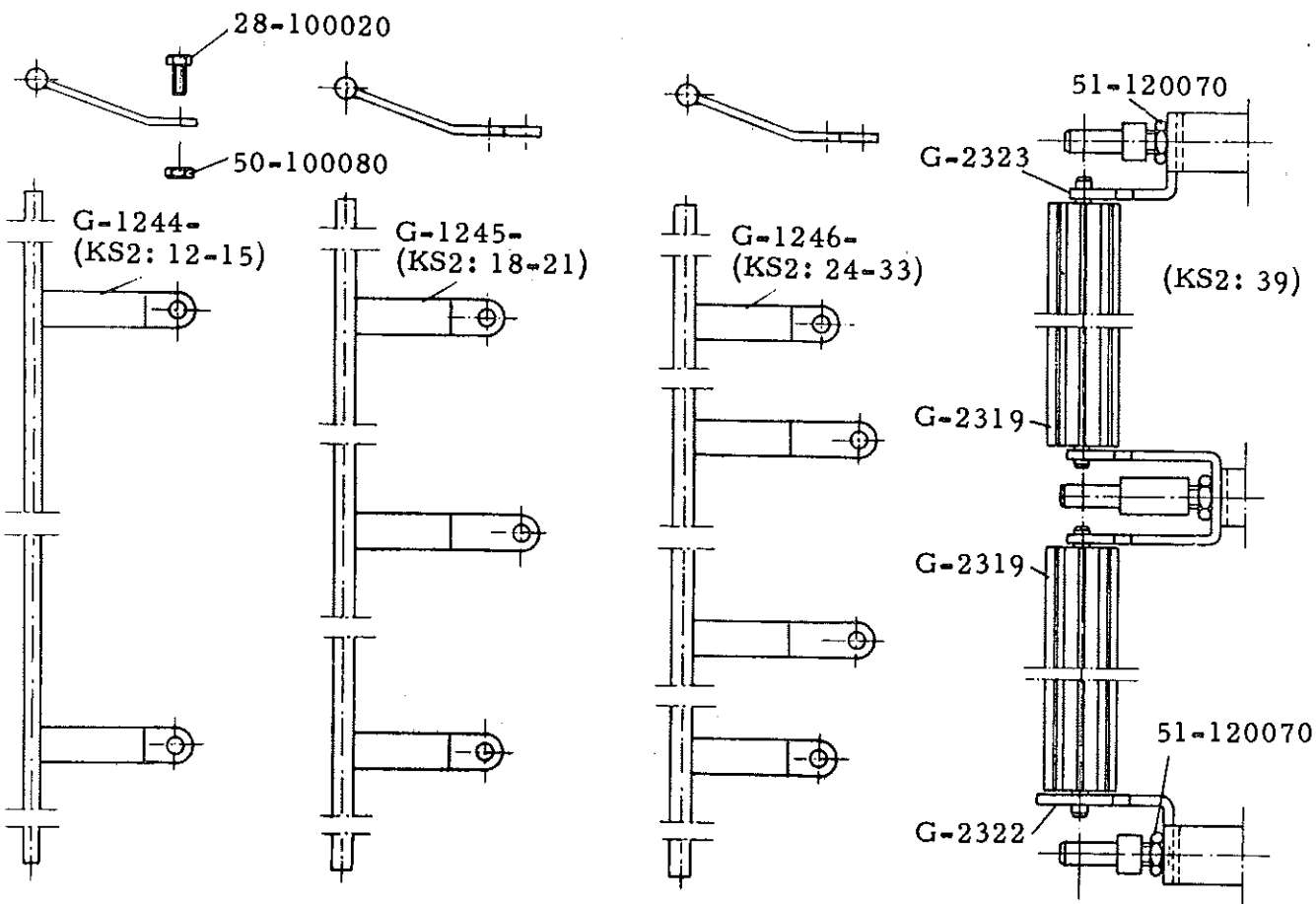
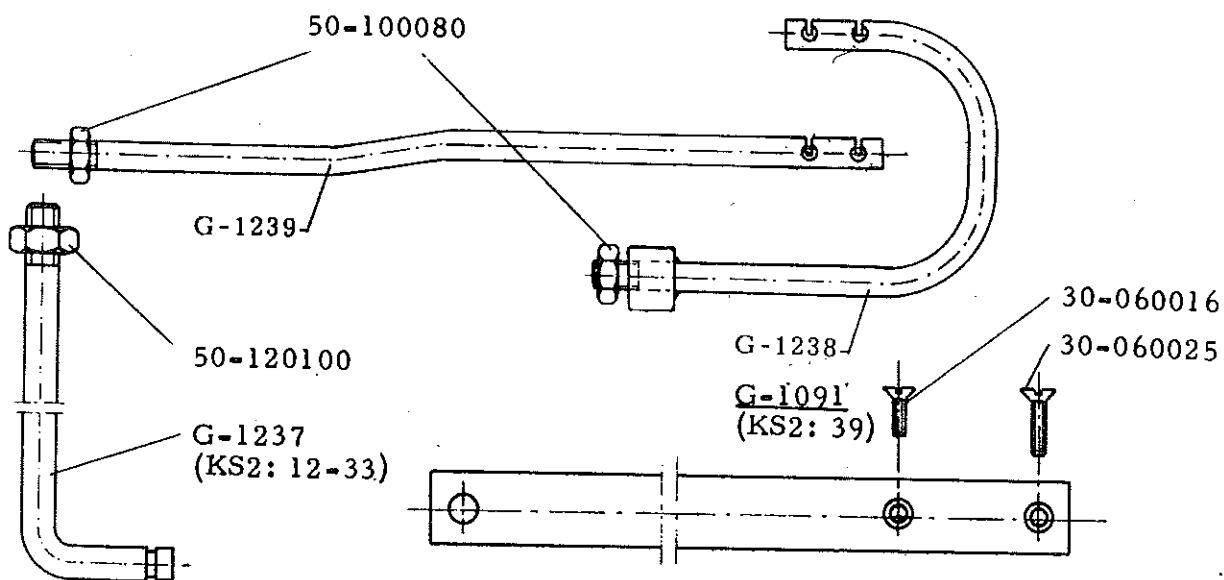
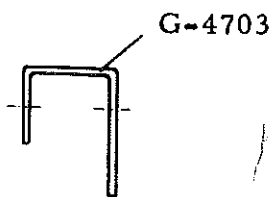
<u>G-5800</u>	<u>G-9429</u>	<u>Brush cylinder, compl.</u>
G-5786	G-5786	Brush stick +)
G-5787	G-5787	Pivot
G-5788	G-9401	Ratchet wheel
G-5789-	G-5789-	Brush holder +)
G-5802	G-5802	Pivot
G-5809	G-5809	Plate
30-050020	30-050020	Screw, M5 x 20
<u>G-738</u>	<u>G-738</u>	<u>Arm, compl.</u>
G-3865	G-3865	Hub
G-5817	G-5817	Pawl
28-100030	28-100030	Screw, M10 x 30
50-100080	50-100080	Nut, M10
<u>G-1112</u>	<u>G-1112</u>	<u>Brush cylinder, compl, (KS2: 39)</u>
G-1114	G-1114	Supporting tube
G-5786	G-5786	Brush stick +)
G-5787	G-5787	Pivot
G-5788	G-5788	Ratchet wheel
G-5789-	G-5789-	Brush holder +)
G-5809	G-5809	Plate
G-9401	G-9401	Ratchet wheel
30-050020	30-050020	Screw, M5 x 20
<u>G-1113</u>	<u>G-1113</u>	<u>Arm, compl.</u>
G-5817	G-5817	Pawl
28-100030	28-100030	Screw, M10 x 30
50-100080	50-100080	Nut, M10
<u>G-5822-</u>	<u>G-5822-</u>	<u>Plush clamp, SP-machines (polypropylene)</u>
G-5825-	G-5825-	Plush clamp, lower part
G-5826-	G-5826-	Plush clamp, upper part
23-06190	23-06190	Screw

+) Length of stand must be indicated by ordering

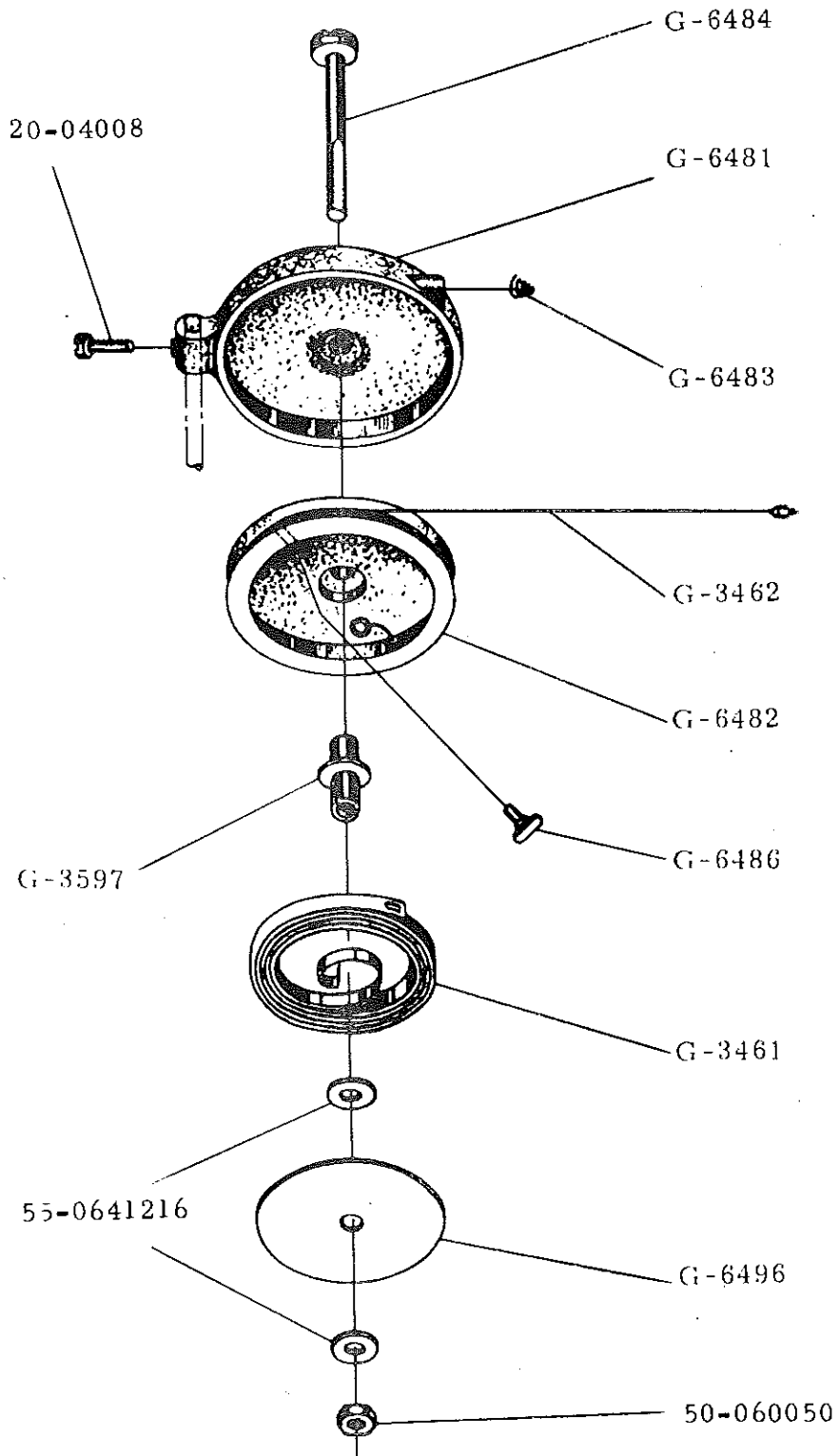
Numbers to order:

<u>KS2</u>	<u>KS2H</u>	<u>Designation</u>
<u>G-1238</u>	<u>G-1238</u>	<u>Holder f. upper lease-wires, compl.</u>
50-100080	50-100080	Nut, M10
<u>G-1239</u>	<u>G-1239</u>	<u>Holder f. lower lease-wires, compl.</u>
50-100080	50-100080	Nut, M10
<u>G-1237</u>	<u>G-1237</u>	<u>Holder for cord (KS2: 12-33)</u>
50-120100	50-120100	Nut, M12
<u>G-4703</u>	<u>G-4703</u>	<u>Holder for cord</u>
<u>G-1091</u>	<u>G-1091</u>	<u>Holder (KS2: 39)</u>
30-060016	30-060016	Screw, M6 x 16
30-060025	30-060025	Screw, M6 x 25
G-1244-	G-1244-	Supporting bar for yarn (KS2: 12-15) +)
G-1245-	G-1245-	Supporting bar for yarn (KS2: 18-21) +)
G-1246-	G-1246-	Supporting bar for yarn (KS2: 24-33) +)
28-100020	28-100020	Screw, M10 x 20
50-100050	50-100050	Nut, M10
G-2319-	G-2319-	Guide roller (KS2: 39) +)
G-2322	G-2322	Holder
G-2323	G-2323	Holder
51-120070	51-120070	Nut, M12

+) Length of stand must be indicated by ordering



KS2.07.75.



Numbers to order:

<u>KS2</u>	<u>KS2H</u>	<u>Designation</u>
<u>G-6480</u>	<u>G-6480</u>	<u>Knot wire tightener, compl.</u>
G-3461	G-3461	Spring
G-3462	G-3462	Knot wire
G-3597	G-3597	Bush
G-6481	G-6481	Roller holder
G-6482	G-6482	Wire roller
G-6483	G-6483	Spring, coneform
G-6484	G-6484	Screw
G-6486	G-6486	Rivet
G-6496	G-6496	Plate
20-04008	20-04008	Screw, M4 x 8
50-060050	50-060050	Nut, M6
55-0641216	55-0641216	Washer, $\phi 6, 4/\phi 12, 5 \times 1, 6$

KS2.07.75.

0
1
2
3
4
5
6
7
8
9
10
11
12
13
14
15
16
17
18
19
20
21
22
23
24
25
26
27
28
29
30
31
32
33
34
35
36
37
38
39
40
41
42
43
44
45
46
47
48
49
50
51
52
53
54
55
56
57
58
59
60
61
62
63
64
65
66
67
68
69
70
71
72
73
74
75
76
77
78
79
80
81
82
83
84
85
86
87
88
89
90
91
92
93
94
95
96
97
98
99