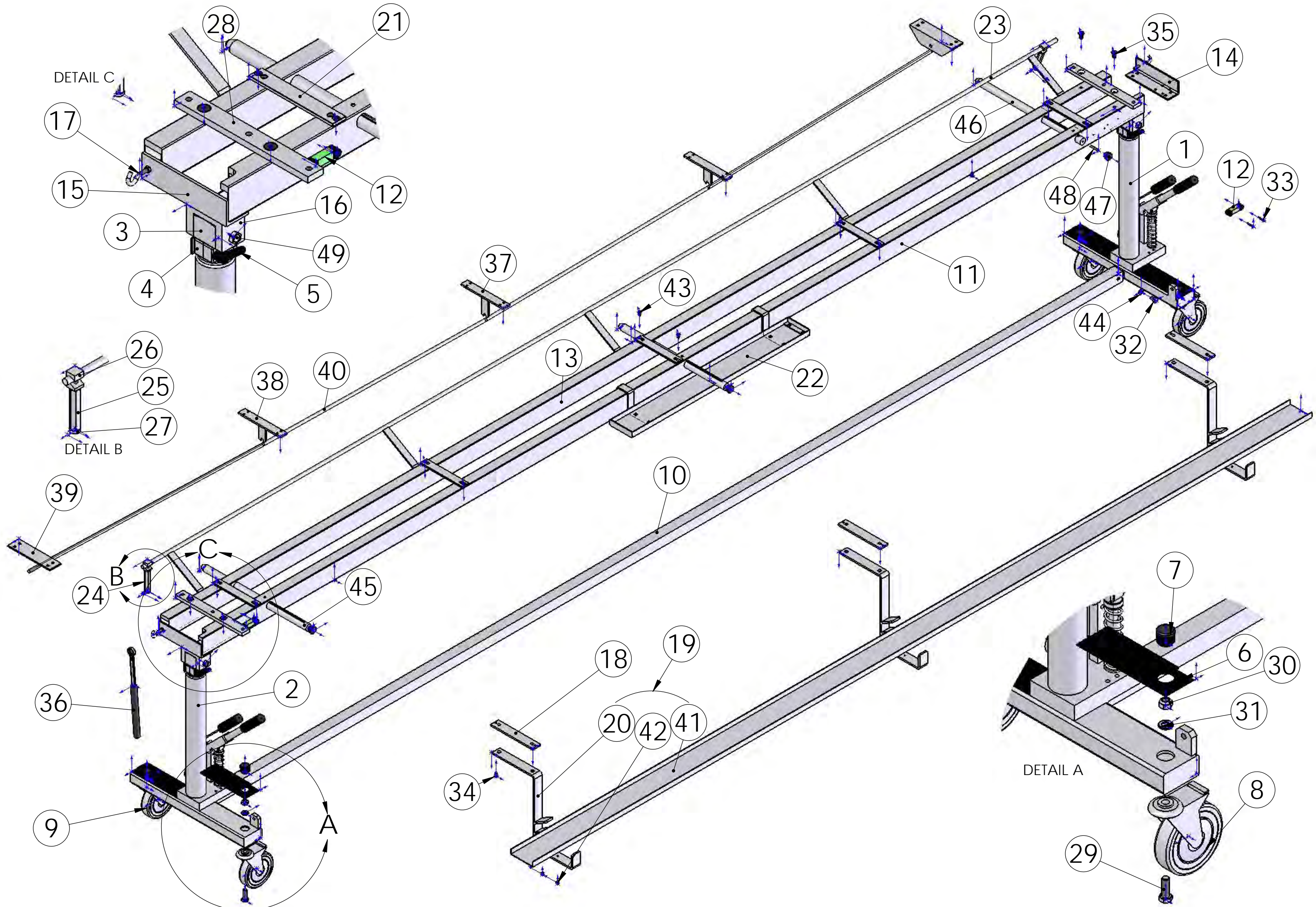


KNOTTING STAND

K S 6

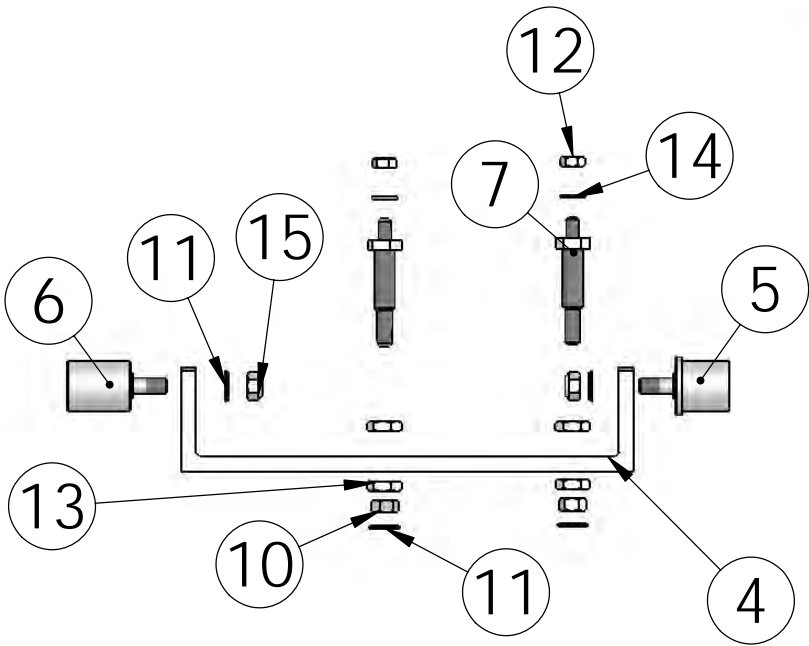
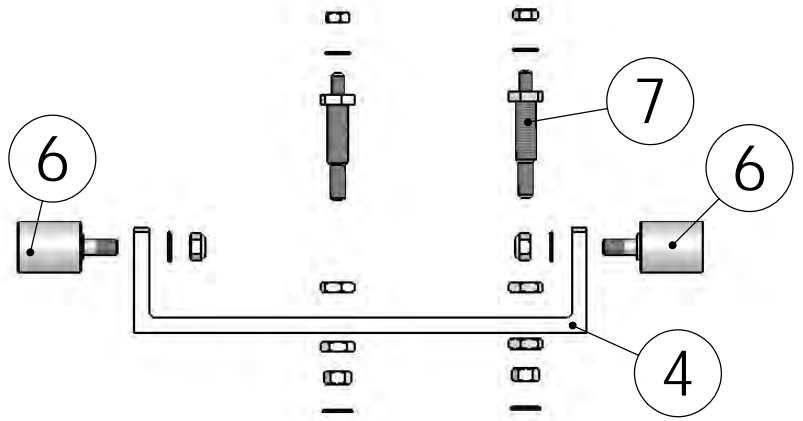
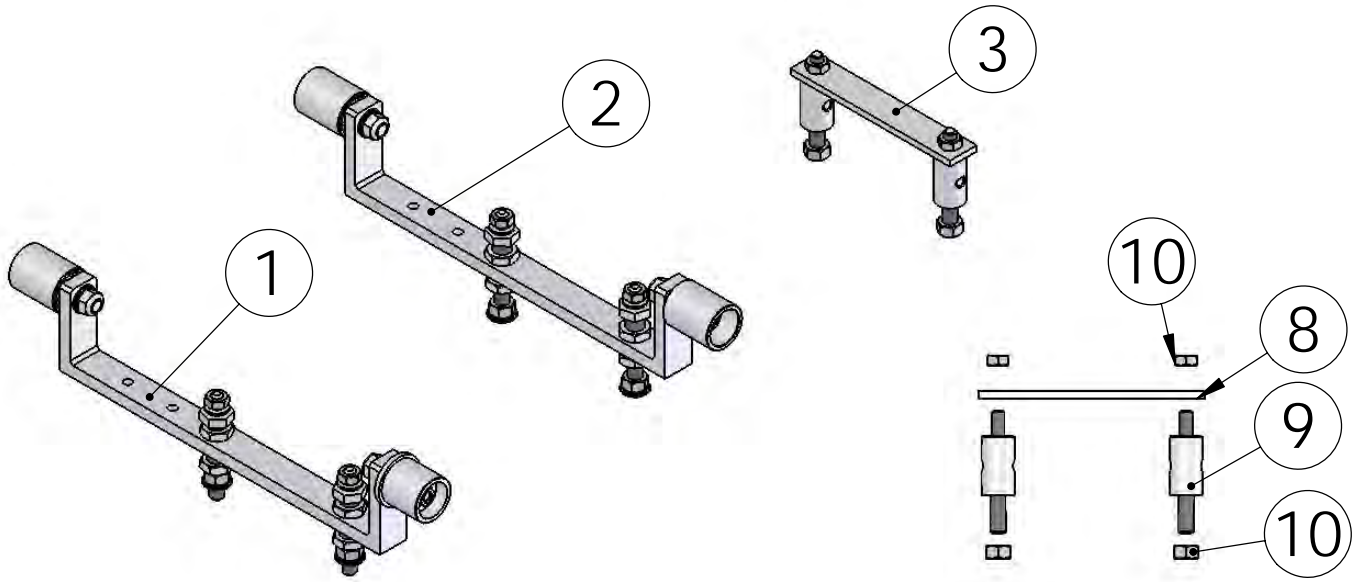




Pos.	R	L	DESCRIPTION
1	G0-67005D		Hydraulic right foot
2	G0-67005I		Hydraulic left foot
3	G0-67004		Upper hydraulic block
4	G0-67002		Fixing bridle, complete
5	G0-67003		Bridle fixation handle
6	G0-67008		Nonslip rubber
7	G0-67009		Plug
8	96-000125BR(*)		Wheel with brake
8	96-010125BR(**)		Wheel with brake (Rhombus)
9	96-000125(*)		Wheel without brake
9	96-010125(**)		Wheel without brake (Rhombus)
10	G0-67620...		Feet conneting tube
11	G0-67641...		Chassis front tube
12	G0-01956		Level
13	G0-67651...		Chassis rear tube
14	G0-67010		Right tubes end angle
15	G0-67011		Left tubes end angle
16	G0-67012		Foot fixing fork
17	G0-67013		Eyebolt with nut
18	G0-67014		Connecting tubes lower handrail
19	G0-67016...		Utensil tray, complete
20	G0-67015		Utensil tray bracket
21	G0-67183		Conneting tubes upper handrail
22	G0-67706		Tool tray
23	G0-67050...		Stoppers supports bar
24	G0-67060		Loom stopper
25	G0-67061		Hexagonal bolt
26	G0-67062		Bolt support
27	G0-67063		Nylon plug
28	G0-67109		Base fixing handrail
29	28-120040		Hexagonal screw M12x40
30	49-120004		Lock nut M12
31	55-1302425		Washer Ø12
32	28-100016		Hexagonal screw M10x16
33	30-040025		Screw p/h M4x25
34	35-060014		Screw Allen p/h M6x14
35	35-100020		Screw Allen p/h M10x20
36	G0-07639		Stand key (hexagonal)
37	G0-67822		Long central support for tensioner rod
38	G0-67823		Short central support for tensioner rod
39	G0-67821		Side support tensioner rod
40	G0-67820...		Tensioner rod
41	G0-67016...A		Utensil tray material
42	26-060008		Bevelled Allen screw M6x8
43	35-060014		Screw Allen p/h M8x14
44	55-1052120		Washer Ø10
45	G0-67040		Telescope, complete
46	G0-67041		Telescope pole
47	G0-67043		Bakelite knob M6
48	G0-67042		Threaded rod M6
49	28-120080		Hexagonal screw M12x80

(*) : for stands KS6-1300 to KS6-2500.

(**) : for stands KS6-2800 to KS6-4000.

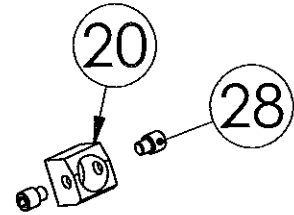
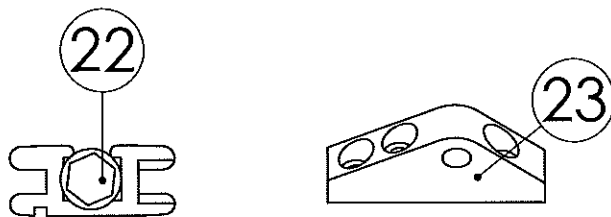
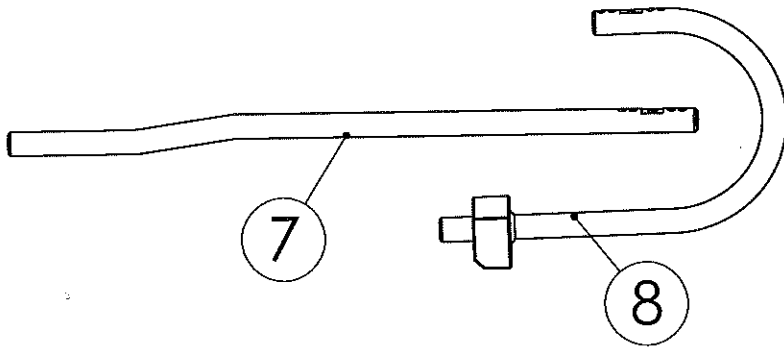
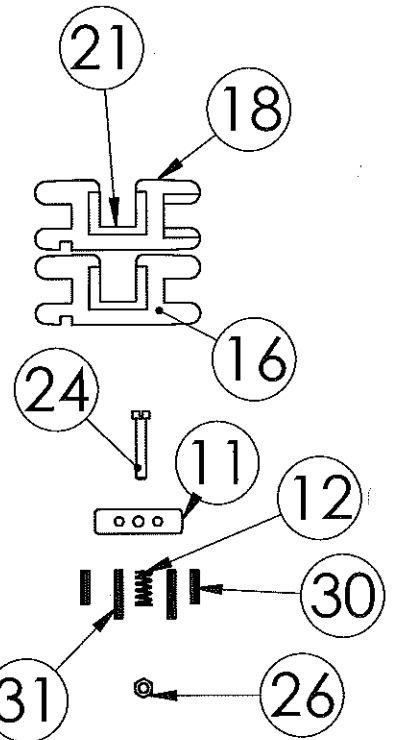
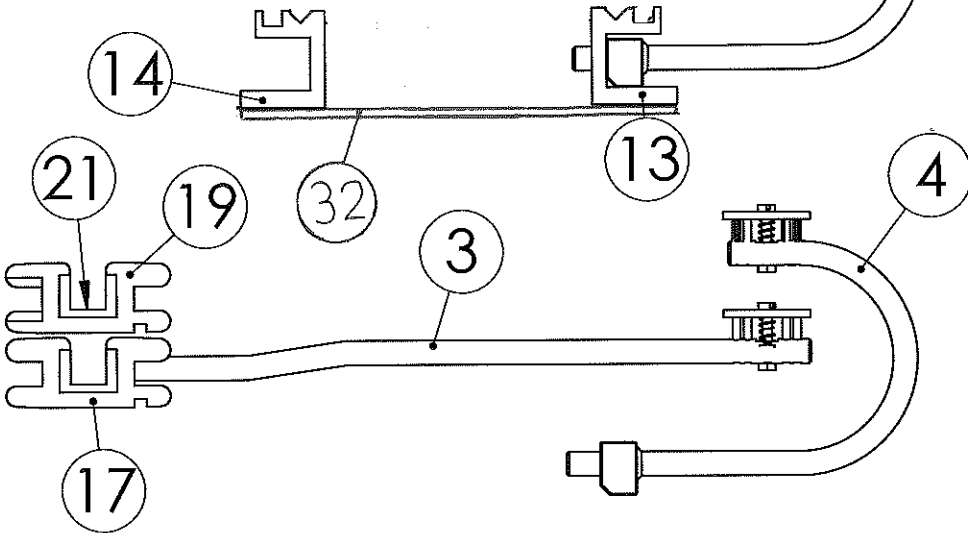
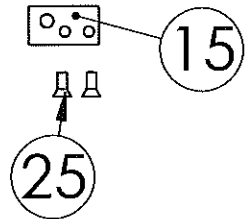
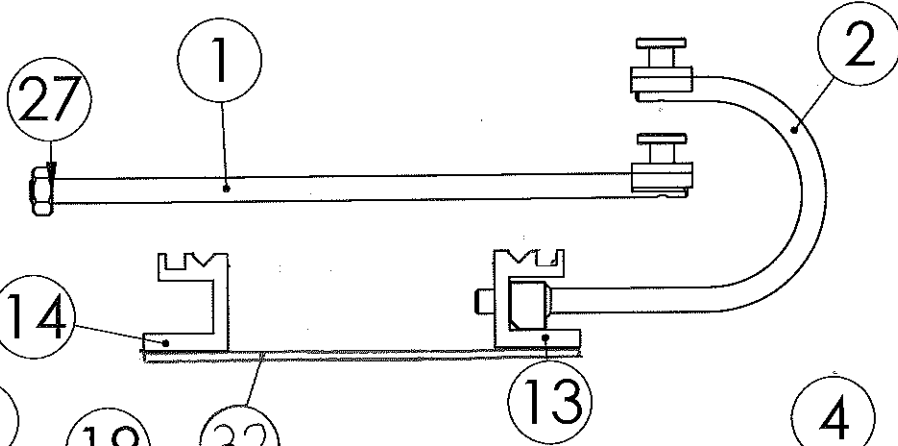
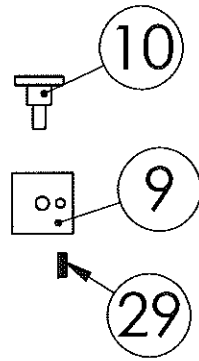
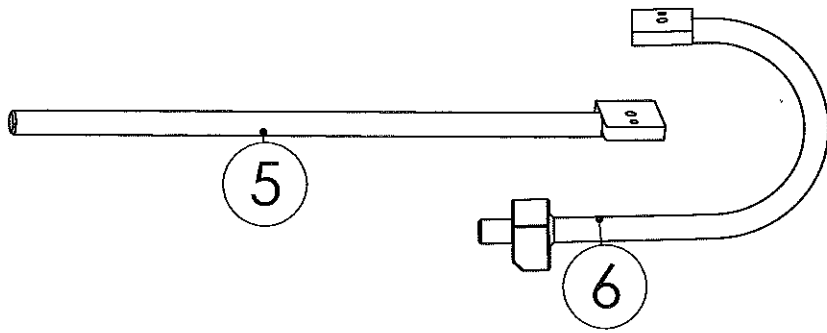


Pos.	R	L	DESCRIPTION
1	G0-67180 (*)		Roller support
2	G0-67181 (**)		Roller support
3	G0-67182		Rails support
4	G0-67186 (***)		Support rails base
5	G0-67184		Drop-leaf roller
6	G0-67185		Roller (50mm.)
6	G0-03901		Roller (76mm.)
7	G0-67188 (****)		Rollers support adjustable bolt
8	G0-67187		Handrail
9	G0-67192		Bolt
10	50-120100		Nut M12
11	55-1302425		Washer Ø12
12	50-100080		Nut M10
13	51-160085		Nut M16
14	55-1052120		Washer Ø10
15	49-120004		Lock nut M12

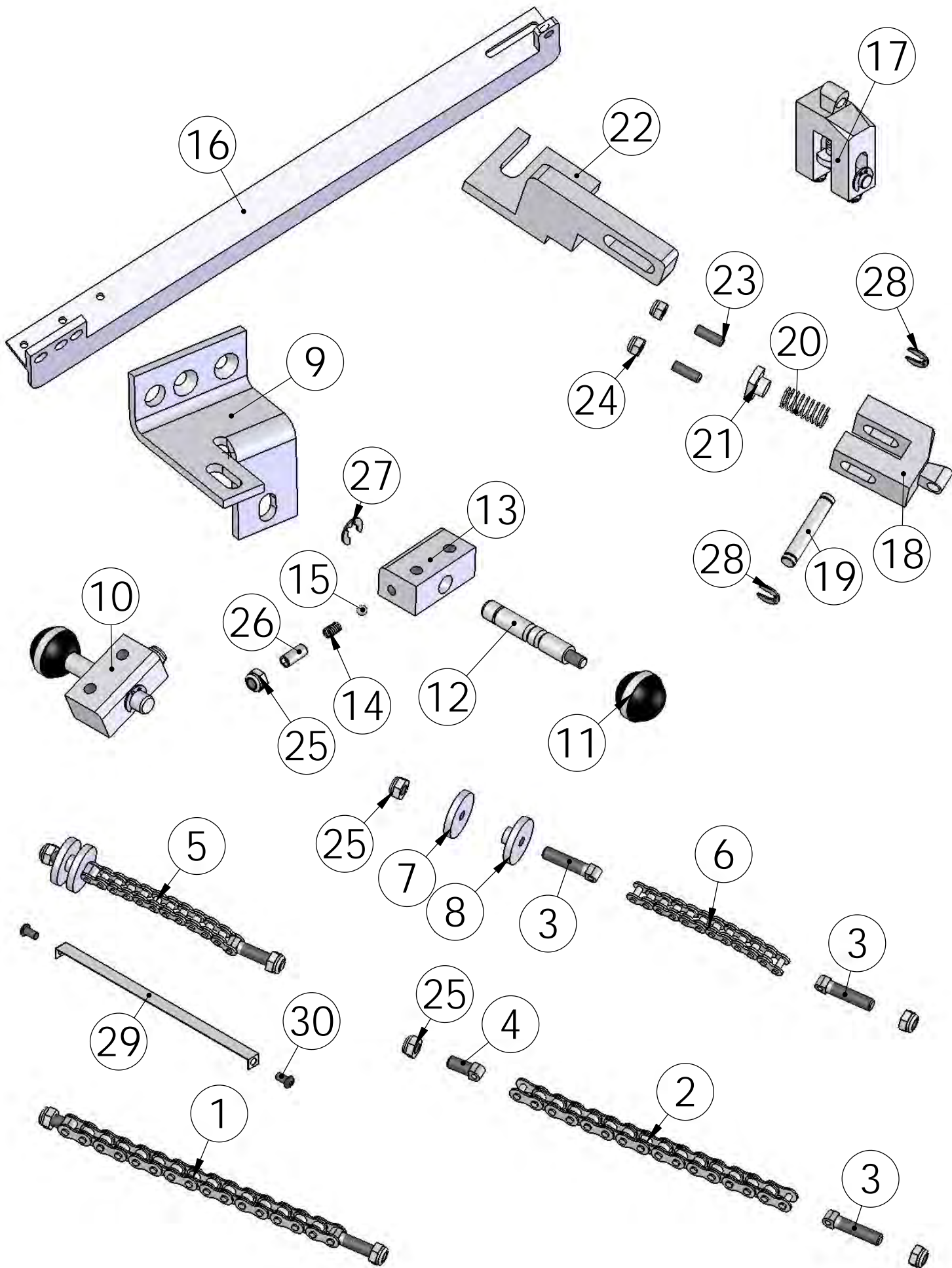
(*) G0-67190
(**) G0-67191
(***) G0-67196
(****) G0-67198



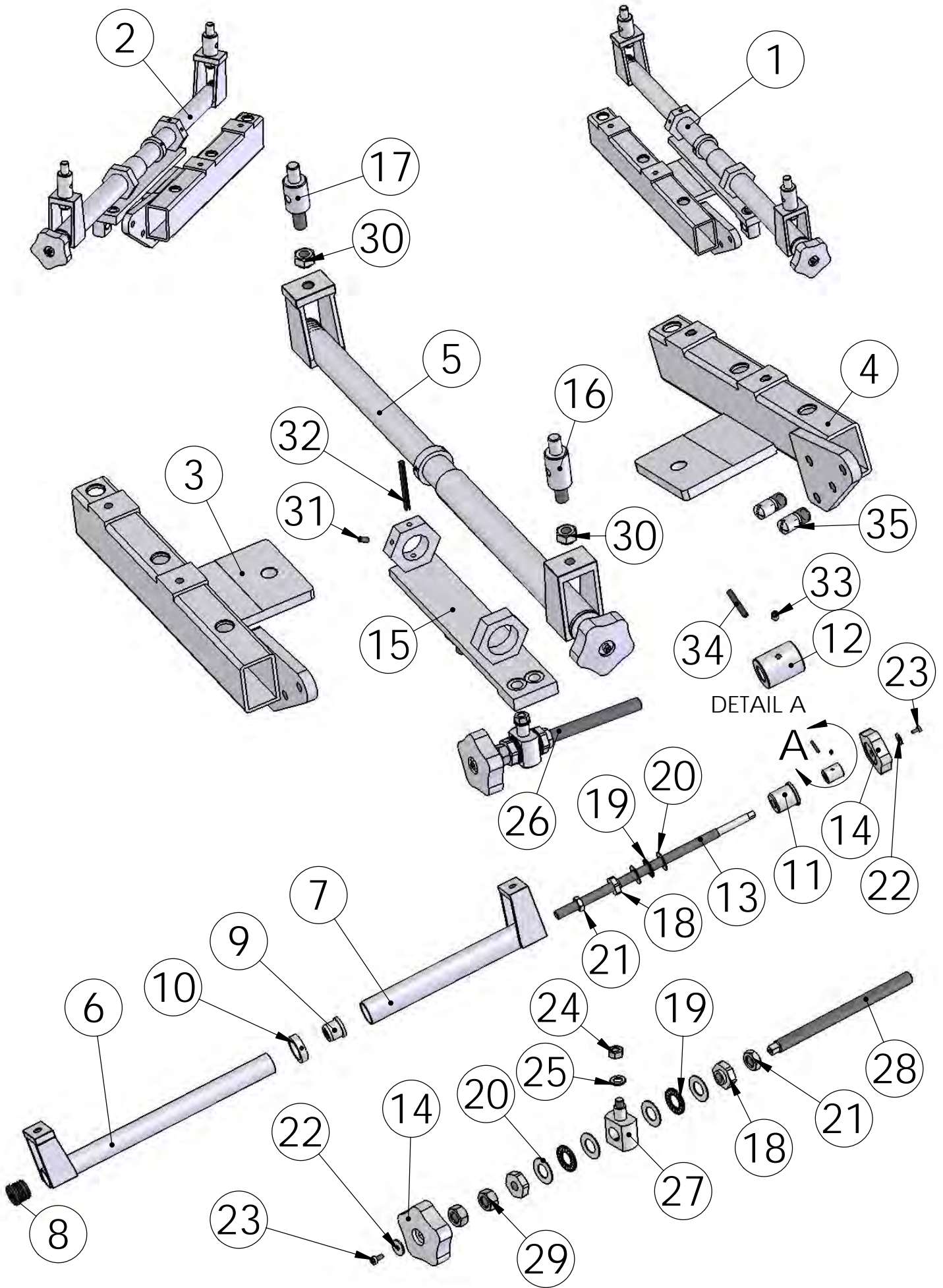
Pos.	R	L	DESCRIPTION
1	G0-67741...		Combing tube, complete
2	G0-67381...		Coming tube
3	G0-61185		Combing tube plug
4	G0-65800...		Brush, complete
5	G0-05792...		Brush tube
6	G0-65786...		Profile brush, complete
6a	G0-65783		Profile brush (300 mm.)
6b	G0-65784		Profile brush (end)
7	G0-65802		Bolt
8	G0-65787		Bolt
9	G0-65788		Right gear wheel
9	G0-69401		Left gear wheel
10	G0-63440D		Brush right bracket, complete
10	G0-63440I		Brush left bracket, complete
11	G0-63439		Brush bracket
12	G0-01108		Shaft bolt
13	G0-03868		Ratchet
14	G0-60738D		Right tensioning lever, complete
14	G0-60738I		Left tensioning lever, complete
15	G0-60738A		Tensioning lever
16	G0-05817		Ratchet
17	G0-63438		Brush bracket
18	G0-03869		Base fixing brush
19	25-060010		Screw Allen c/h M6x10
20	35-120040		Screw Allen p/h M12x40
21	28-100030		Hexagonal screw M10x30
22	55-1052120		Washer Ø10
23	50-100080		Nut M10
24	65-040024		Rectified elastic pin 4x24
25	G0-67383		Right combing tube bracket (2 positions)
26	G0-67384		Left combing tube bracket (2 positions)
27	G0-67385		Right combing tube bracket (3 positions)
28	G0-67386		Left combing tube bracket (3 positions)



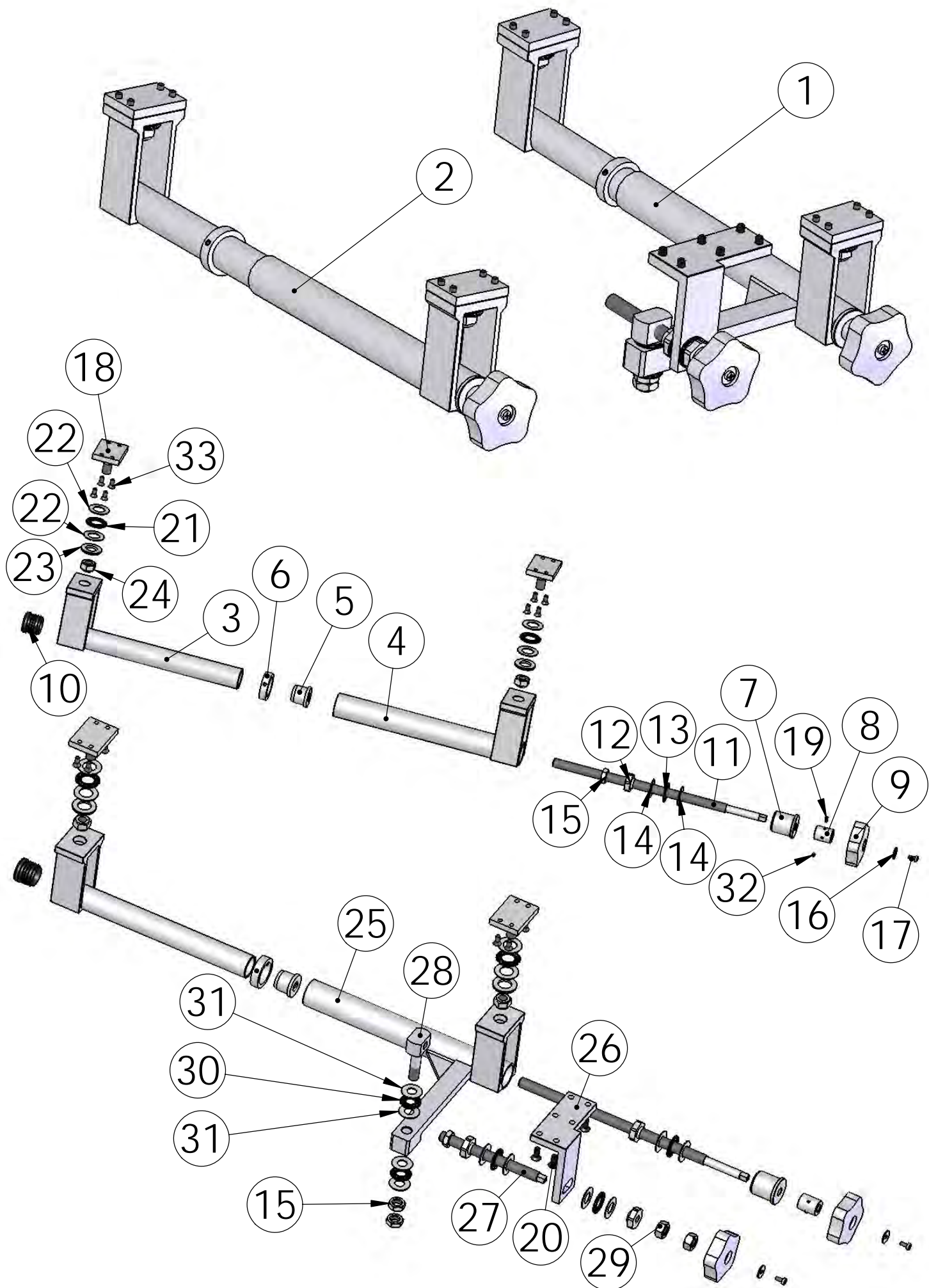
Pos.	R	L	DESCRIPTION
1	G0-61239T		Rear lower lease support, complete
2	G0-61238T		Rear upper lease support, complete
3	G0-61239D		Front lower lease support, complete
4	G0-61238D		Front upper lease support, complete
5	G0-61231		Rear lower lease support
6	G0-61232		Rear upper lease support
7	G0-61233		Front lower lease support
8	G0-61234		Front upper lease support
9	G0-61235		Platen
10	G0-61230		Screw
11	G0-05831		Platen
12	G0-61237		Spring
13	G0-67211...R/L	G0-67211...L/R	Front rail
14	G0-67221...R/L	G0-67221...L/R	Rear rail
15	G0-01539		Chain platen
16	G0-67311...RD	G0-67311...LD	Front lower clamp rack (right tighten)
16	G0-67311...RI	G0-67311...LI	Front lower clamp rack (left tighten)
17	G0-67321...RD	G0-67321...LD	Rear lower clamp rack (right tighten)
17	G0-67321...RI	G0-67321...LI	Rear lower clamp rack (left tighten)
18	G0-67331...		Front upper clamp rack (right tighten)
18	G0-67341...		Front upper clamp rack (left tighten)
19	G0-67341...		Rear upper clamp rack (right tighten)
19	G0-67331...		Rear upper clamp rack (left tighten)
20	G0-67301		Clamp rod supporting cube
21	G0-03866...		Rubber strip
22	G0-67699...D		Clamp rod (right hexagonal tighten)
22	G0-67699...I		Clamp rod (left hexagonal tighten)
23	G0-67350		Soporte extremidad guía mordaza
24	20-04025		Screw c/h M4x25
25	35-040010		Screw Allen p/h M4x10
26	50-040032		Nut M4
27	50-100080		Nut M10
28	45-08012		Neck screw Allen M8
29	65-030010		Rectified elastic pin 3x10
30	65-030014		Rectified elastic pin 3x14
31	65-030020		Rectified elastic pin 3x20
32	G0-67208		Rail connection handrail



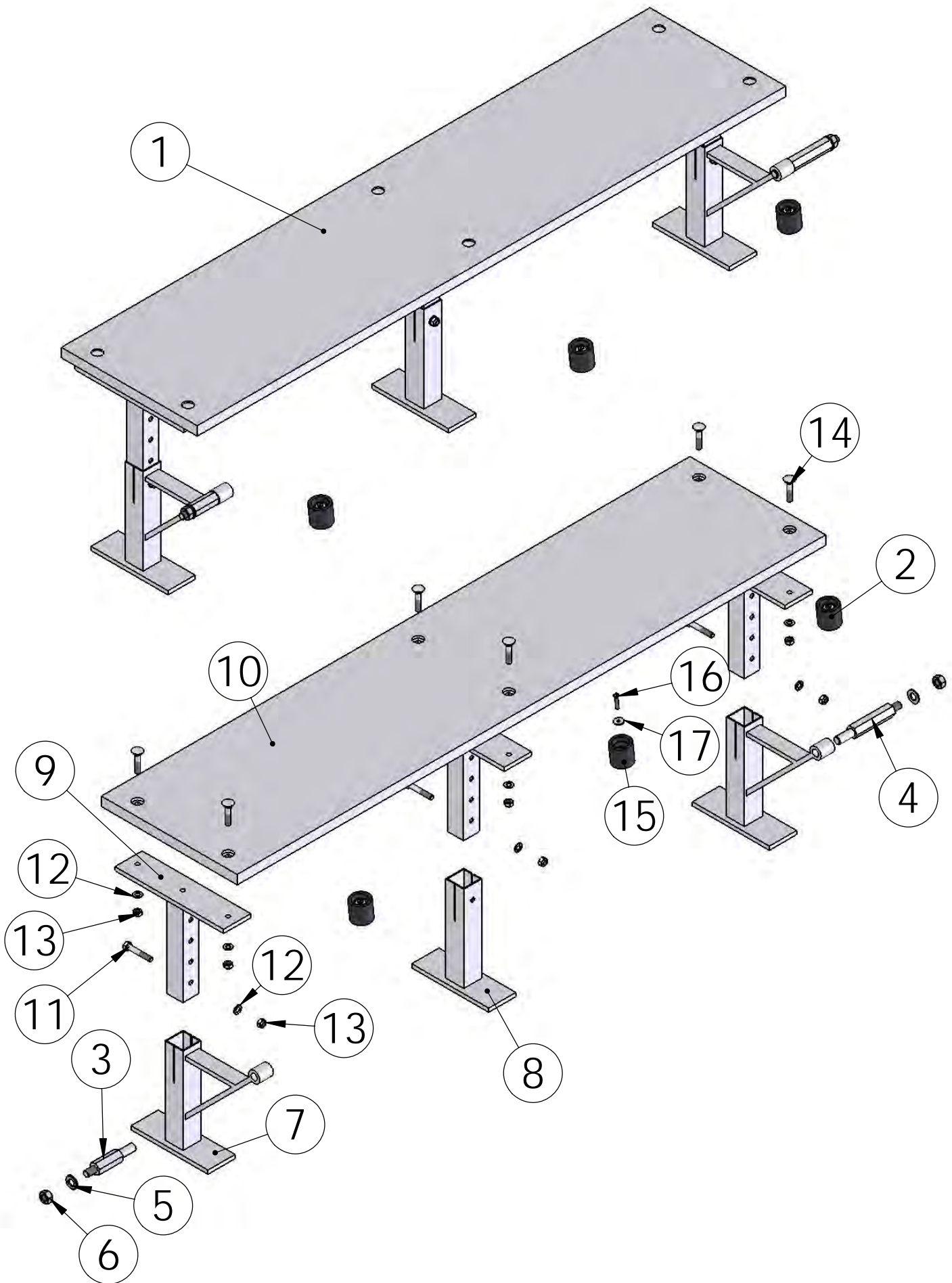
Pos.	R	L	DESCRIPTION
1	G0-01535...		Chain pitch 8 with terminals
2	G0-01536		Chain pitch 8
3	G0-01537		Chain end bolt, long
4	G0-01538		Chain end bolt, short
5	G0-64418...		Chain pitch 6 with terminals
6	G0-04417		Chain pitch 6
7	G0-01542		Knurled nut
8	G0-01543		Neck knurled nut
9	G0-67229	G0-67228	Chain end support
10	G0-67222		Lock brake
11	G0-67223		Knob M-5
12	G0-67224		Lock shank
13	G0-67225		Lock brake lock
14	G0-67226		Spring
15	G0-04299		Bearing ball
16	G0-67239	G0-67238	Chain tensioner support
17	G0-67232		Chain tensioner
18	G0-67233		Chain tensioner fork
19	G0-67234		Chain tensioner shaft
20	G0-67231		Spring
21	G0-67235		Nylon pivot
22	G0-67236	G0-67237	Chain tensioner fixer
23	43-04012		Flat screw Allen M4x12
24	49-040004		Lock nut M4
25	49-050004		Lock nut M5
26	43-05012		Flat screw Allen M5x12
27	72-060074		Seller
28	72-050074		Seller
29	G0-04442...		Stainless strap
30	26-030006		Bevelled screw Allen M3x6



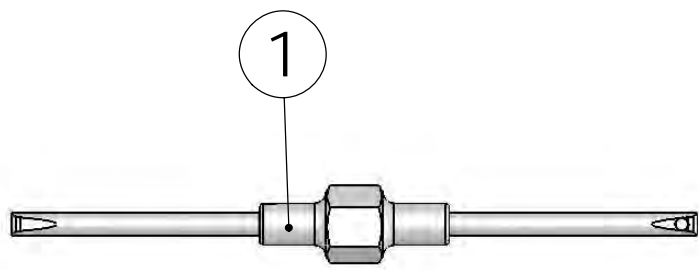
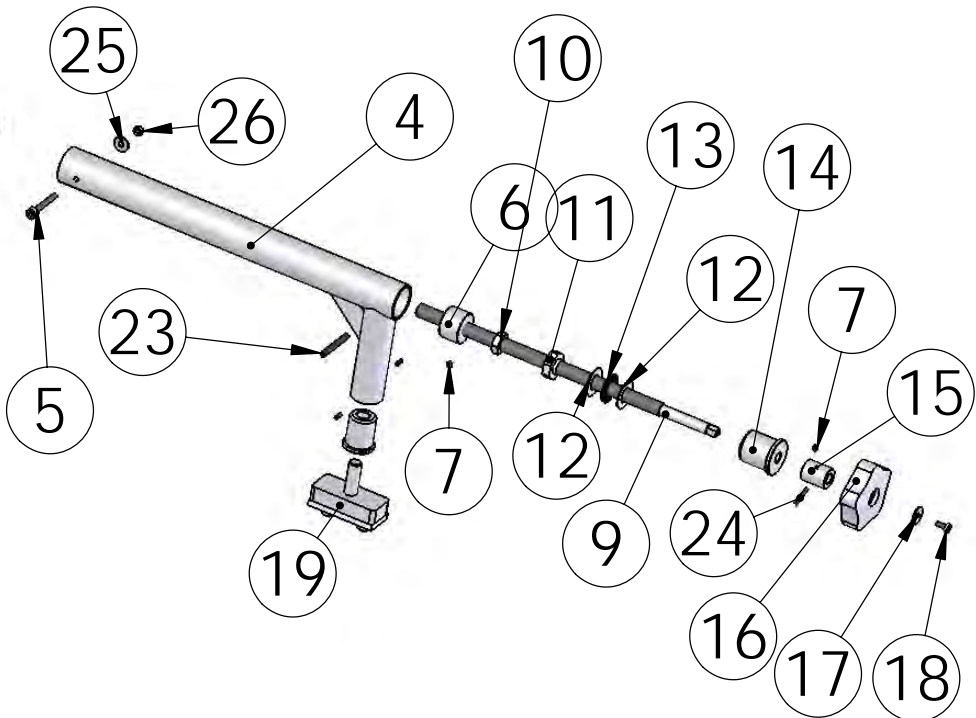
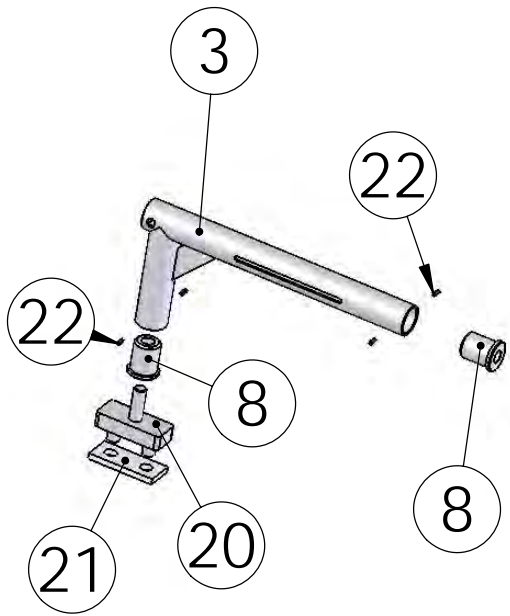
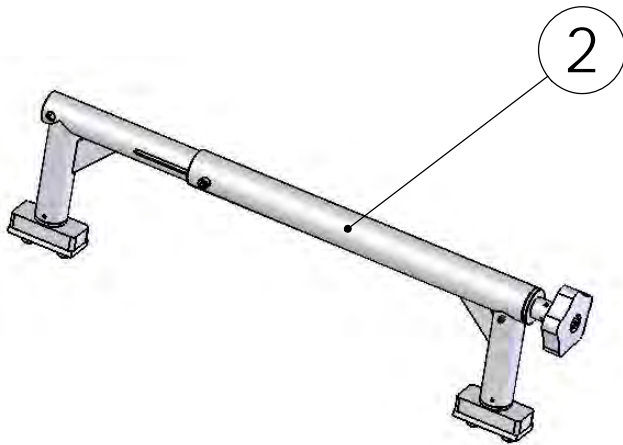
Pos.	R	L	DESCRIPTION
1	G0-67110		Right base, complete
2	G0-67140		Left base, complete
3	G0-67111		Right base
4	G0-67141		Left base
5	G0-65950		Upper layer tensioner, complete
6	G0-65955		Internal tube
7	G0-65954		External tube
8	G0-67009		Plug
9	G0-01163		Internal tube bush
10	G0-00638		Ring
11	G0-01162		External tube bush
12	G0-01104		Bush
13	G0-61153		Screw
14	G0-00745		Knob
15	G0-01154		Tensioner bracket
16	G0-65960		Bolt
17	G0-65960-1		Tightened bolt
18	G0-67070		Bearing housing nut
19	G0-67076		Axial bearing 15-28
20	G0-67077		Bearing ring 15-28
21	51-120070		Nut M12
22	55-0431515		Wide flat washer
23	22-04008		Screw b/h M4x8
24	50-080065		Nut M8
25	55-0841716		Washer Ø8
26	G0-67150		Angle setting, complete
27	G0-61102		Bolt
28	G0-61151		Screw
29	50-120100		Nut M12
30	49-120004		Lock nut M12
31	43-05010		Flat screw Allen M5x10
32	65-050060		Elastic pin 5x60
33	43-04005		Flat screw Allen M4x5
34	65-030020		Elastic pin 3x20
35	G0-65805		Brush position pivot



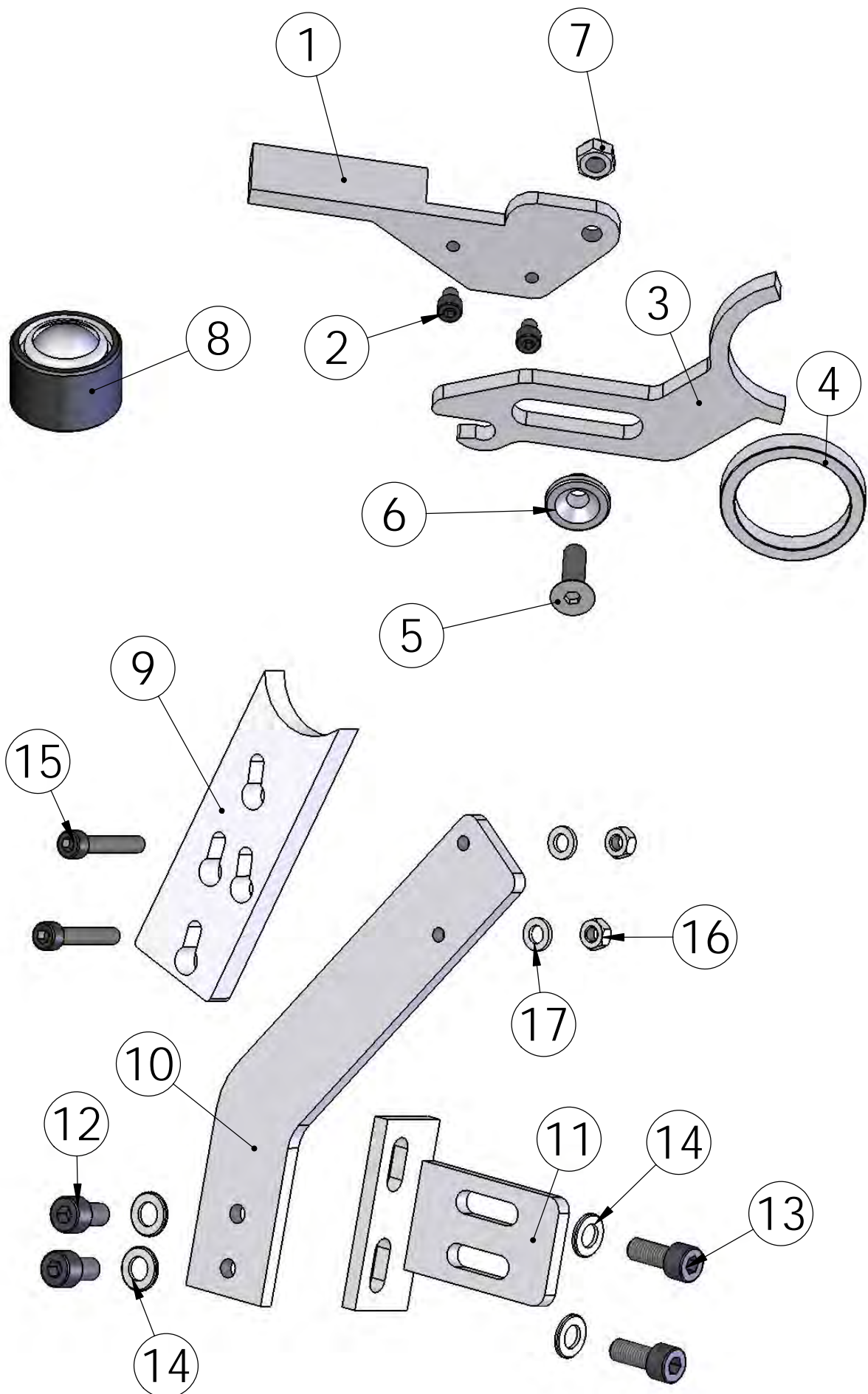
Pos.	R	L	DESCRIPTION
1	G0-69428	G0-65952	Lower layer tensioner with angle setting, complete
2	G0-65953		Lower layer tensioner, complete
3	G0-65957		Internal tube
4	G0-65958		External tube
5	G0-01163		Internal tube bush
6	G0-00638		Ring
7	G0-01162		External tube bush
8	G0-01104		Bush
9	G0-00745		Knob
10	G0-67009		Plug
11	G0-61153		Screw
12	G0-67070		Bearing housing nut
13	G0-67076		Axial bearing 15-28
14	G0-67077		Bearing ring 15-28
15	51-120070		Nut M12
16	55-0431515		Wide flat washer
17	22-04008		Screw b/h M4x8
18	G0-67175		Lower layer tensioner fixer
19	65-030008		Elastic pin 3x8
20	35-080016		Screw Allen p/h M8x16
21	G0-67078		Axial bearing 17-30
22	G0-67079		Bearing ring 17-30
23	55-1603202		Washer Ø16
24	49-120004		Lock nut M12
25	G0-69410	G0-65956	External adjusting tube
26	G0-61072R	G0-61072L	Support set square
27	G0-61152		Screw
28	G0-61107		Bolt
29	50-120100		Nut M12
30	G0-67074		Axial bearing 12-26
31	G0-67075		Bearing ring 12-26
32	43-04005		Screw Allen p/h M6x16
33	35-050012		Screw Allen p/h M5x12



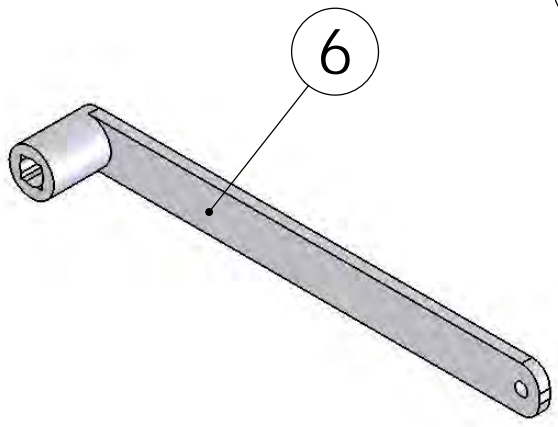
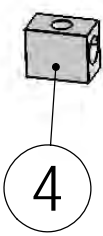
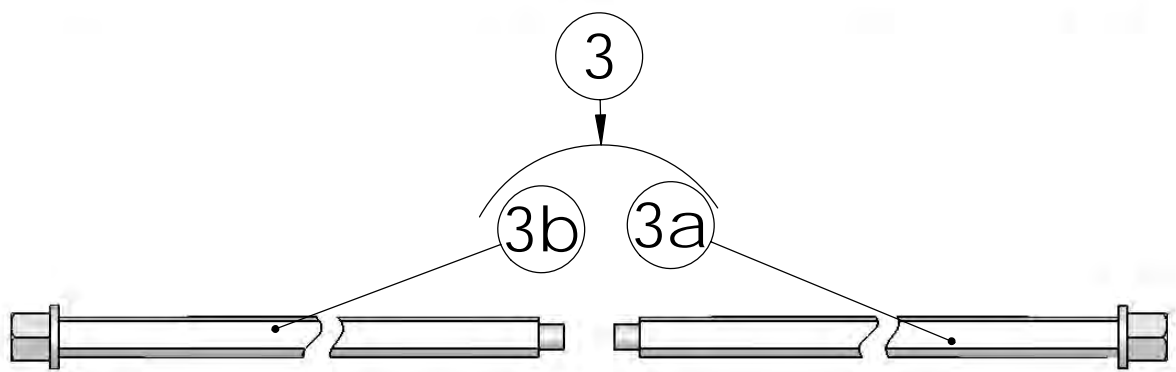
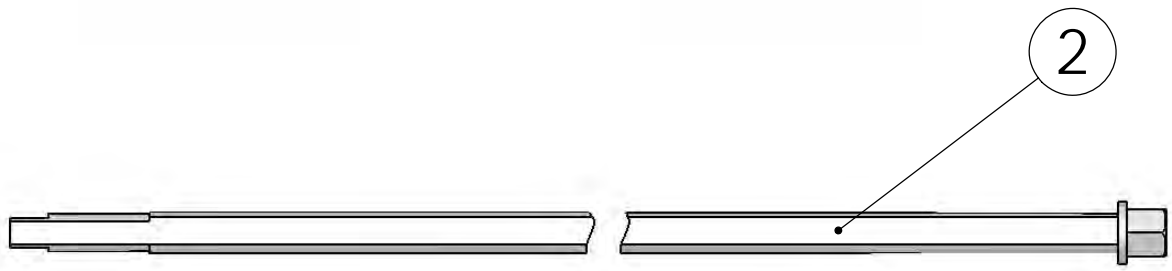
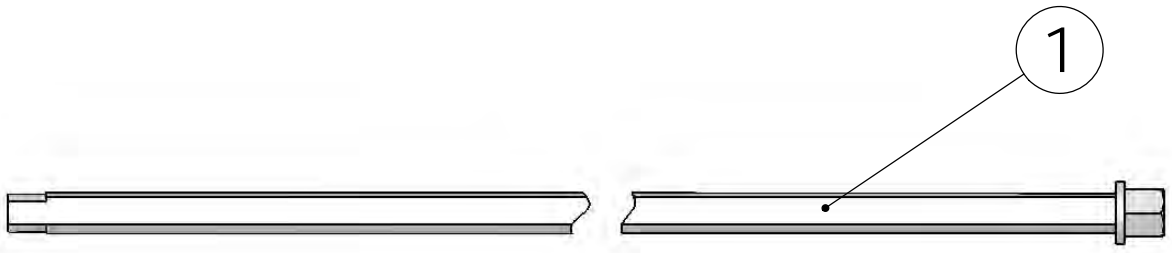
Pos.	R	L	DESCRIPTION
1	G0-67860...		Platform, complete
2	G0-67871		Platform stopper, complete
3	G0-67861		Bolt
4	G0-67862		Bolt
5	55-1302425		Washer Ø12
6	50-120100		Nut M12
7	G0-67863		Side platform base
8	G0-67864		Central platform base
9	G0-67865		Platform support
10	G0-67870...		Tabla tarima
11	28-080050		Hexagonal screw M8x50
12	55-0841716		Washer Ø8
13	49-080004		Lock nut M8
14	29-080040		Pin M8x40
15	G0-02591		Platform stopper
16	20-05025		Screw c/h M5x25
17	55-0431515		Wide flat washer



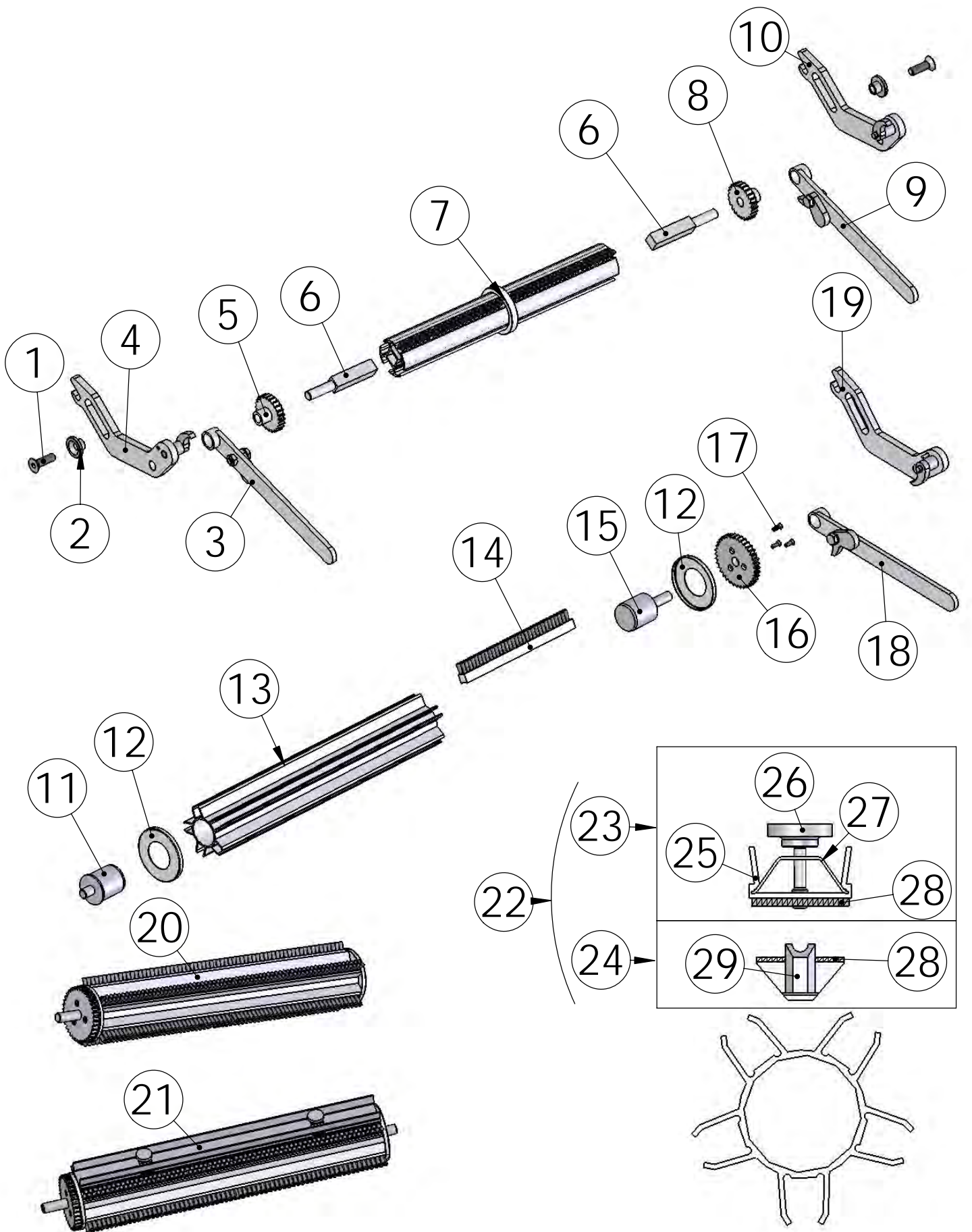
Pos.	R	L	DESCRIPTION
1	G0-04707		Manual tensioner
2	G0-65940		Tensor auxiliar, completo
3	G0-65942		Auxiliary tensioner internal tube
4	G0-65941		Auxiliary tensioner external tube
5	25-050040		Screw Allen c/h M5x40
6	G0-65943		Threaded bush
7	43-04005		Flat screw Allen M4x5
8	G0-01648		Auxiliary tensioner tube bush
9	G0-61153		Screw
10	51-120070		Nut M12
11	G0-67070		Bearing housing nut
12	G0-67077		Bearing ring 15-28
13	G0-67076		Axial bearing 15-28
14	G0-01162		External tube bush
15	G0-01104		Bush
16	G0-00745		Knob
17	55-0431515		Washer
18	22-04008		Screw b/h M4x8
19	G0-65948		Auxiliary tensioner base, complete
20	G0-65946		Auxiliary tensioner base
21	G0-65947		Nylon platen
22	65-030008		Elastic pin 3x8
23	65-050045		Elastic pin 5x45
24	65-030020		Elastic pin 3x20
25	55-0530150		Washer
26	49-050004		Lock nut M5



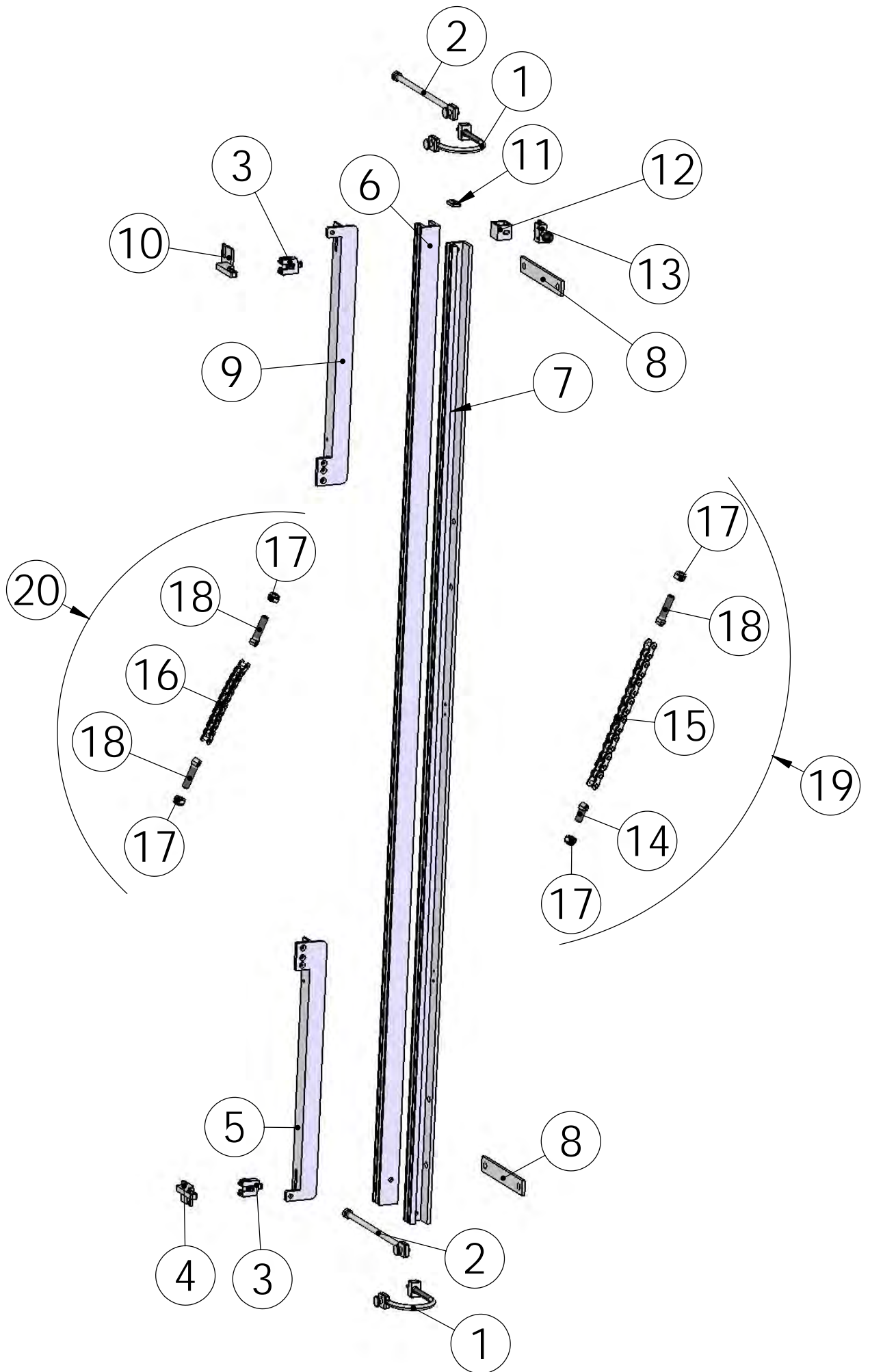
Pos.	R	L	DESCRIPTION
1	G0-63453		Brush central bracket fixing
2	G0-65805		Brush position pivot
3	G0-63452		Brush central bracket
4	G0-63454		Brush central nylon ring
5	35-120040		screw Allen p/h M12x40
6	G0-03869		Fixing bush
7	49-120004		Lock nut M12
8	G0-67302		Support ball
9	G0-67388		Central combing tube bracket platen
10	G0-67387A		Central combing tube bracket arm
11	G0-67387B		Central combing tube bracket base
12	25-080014		Screw Allen c/h M8x14
13	25-080020		Screw Allen c/h M8x20
14	55-0841716		Washer Ø8
15	25-060035		Screw Allen c/h M6x35
16	50-060050		Nut M6
17	55-0641216		Washer Ø6



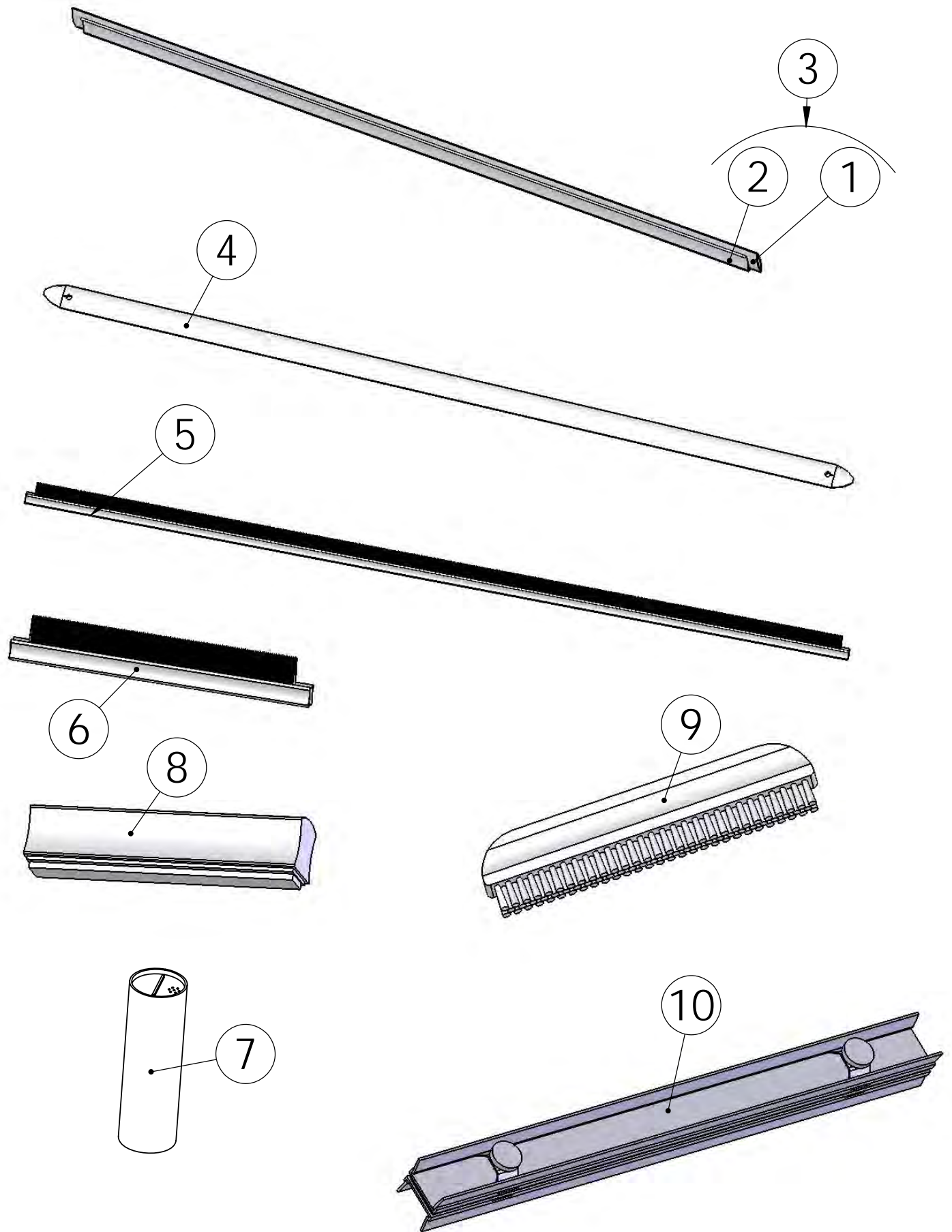
Pos.	R	L	DESCRIPTION
1	G0-67699...D		Hexagonal clamp rod (right tighten)
1	G0-67699...I		Hexagonal clamp rod (left tighten)
2	G0-67699...HG-D		Hexagonal clamp rod and 11,5 mm. square
2	G0-67699...HG-I		Hexagonal clamp rod and 11,5 mm. square
3	G0-67699...PH		Hexagonal split clamp rod
3a	G0-67699...PH-D		Right hexagonal split clamp rod
3b	G0-67699...PH-I		Left hexagonal split clamp rod
4	G0-61109		Clamp rod supporting cube
5	G0-07639		Stand key (hexagonal)
6	G0-01497G		Stand key (11,5 mm square)



Pos.	R	L	DESCRIPTION
1	35-120040		Screw Allen p/h M12x40
2	G0-03869		Fixing bush
3	G0-60738I		Left tensioning lever, complete
4	G0-63440I		Brush left bracket, complete
5	G0-69401		Left gear wheel
6	G0-65787		Bolt
7	G0-63454		Brush central nylon ring
8	G0-65788		Right gear wheel
9	G0-60738D		Right tensioning lever, complete
10	G0-63440D		Brush right bracket, complete
11	G0-05802		Bolt
12	G0-05809		Brush plate
13	G0-05789...		Brush tube (5 rows)
14	G0-05786...		Brush
15	G0-05787		Bolt
16	G0-05788		5-row brush right gear wheel
16	G0-09401		5-row brush left gear wheel
17	35-050016		Screw Allen p/h M5x16
18	G0-00738D		Right tensioning lever, complete
18	G0-00738I		Left tensioning lever, complete
19	G0-03440D		Brush right long bracket, complete
19	G0-03440I		Brush left long bracket, complete
20	G0-05800...		Complete brush (5 rows)
21	G0-05824...		Complete brush with plush clamp
22	G0-05822...		Plush clamp for brush
23	G0-05826...		Male plush clamp for brush
24	G0-05825...		Female plush clamp for brush
25	G0-05827...		Aluminium profile
26	G0-17173		Screw
27	G0-17174		Steel bridge
28	G0-17178		Custom cut plush
29	G0-05906		Hex nut with platen



Pos.	R	L	DESCRIPTION
1	G0-61238T		Rear upper lease support, complete
2	G0-61239T		Rear lower lease support, complete
3	G0-67232		Chain tensioner
4	G0-67237		Chain tensioner fixer
5	G0-67238		Chain tensioner support
6	G0-67211...R/L		Double-inlet front rail
7	G0-67221...R/L		Double-inlet rear rail
8	G0-67208		Lower rail connection handrail
9	G0-67239		Chain tensioner support
10	G0-67236		Chain tensioner fixer
11	G0-01539		Chain platen
12	G0-67227		Receptacle brake shank
13	G0-67222-1		Lock brake
14	G0-01538		Chain end bolt, short
15	G0-01536		Chain pitch 8
16	G0-04417		Chain pitch 6
17	49-050004		Lock nut M5
18	G0-01537		Chain end bolt, long
19	G0-01535...		Chain pitch 8 with terminals
20	G0-64418...-1		Chain pitch 6 with terminals



Pos.	R	L	DESCRIPTION
1	G0-05810		Lease rod profile
2	G0-00643		Clamp profile
3	G0-00641...		Clamp
4	G0-02173...		Lease rod
5	G0-03930...		Long comb (4,5 cents / cm.)
5	G0-03935...		Long comb (6 dents / cm.)
5	G0-03931...		Long comb (9 dents / cm.)
6	G0-291706		Short sparse comb (6 dents / cm.)
6	G0-291709		Short thick comb (9 dents / cm.)
7	G0-02969		Talcum powder
8	G0-01940		Combing brush
9	G0-02907A		Nylon brush (3 rows)
9	G0-02907B		Nylon brush (4 rows)
9	G0-02907C		Nylon brush (5 rows)
9	G0-01954		Steel brush
10	G0-17170...		Plush clamp